

Induktive Näherungsschalter *inductive proximity switches*

zylindrisch DC Ø3mm - M30 <i>cylindric DC</i>	4 - 31
zylindrisch DC V2A <i>cylindric DC V2A</i>	32 - 37
zylindrisch DC Druckfest <i>cylindric DC pressure resistant</i>	38 - 39
zylindrisch DC Hochtemperatur <i>cylindric DC temperature resistant</i>	40 - 42
zylindrisch AC <i>cylindric AC</i>	44 - 47
rechteckig DC <i>cuboid DC</i>	48 - 53

Ein induktiver Näherungsschalter ist ein Sensor, der berührungsfrei auf Annäherung eines metallischen oder galvanischen Gegenstandes, d.h. ohne direkten Kontakt reagiert. Der Näherungsschalter stellt eines der Grundelemente der industriellen Automatisierungstechnik dar. Sie werden als berührungslose Endschalter verwendet, z. B. zum Erfassen, Zählen oder Sortieren von Werkstücken sowie als Drehzahlaufnehmer mit einer Schaltfrequenz von bis zu 20 kHz. Die sichere Erfassung von Kleinstteilen sowie schnellster Vorgänge ist somit möglich.

The inductive proximity switch is a sensor which is designed for non-contact detection on metallic and galvanic objects.

The inductive proximity switch is a basic element in industrial automation. They are used as a non-contact position switch e.g. for detection, counting or sorting of workpieces and rotation sensor with a switching frequency up to 20 kHz.

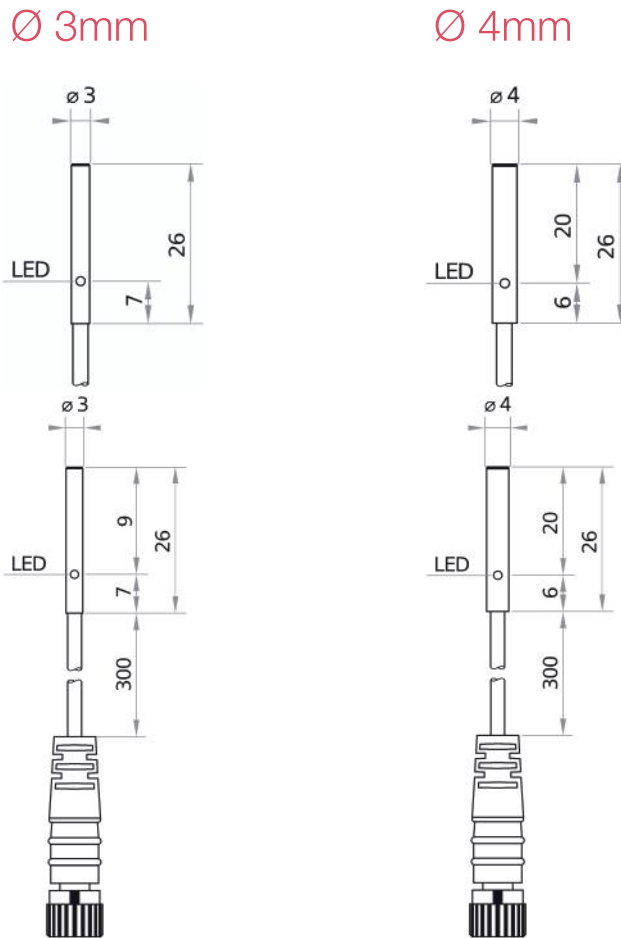
The safe detecting of particles as well as fast procedures is possible.

- + Baugrößen ab Ø 3 mm *dimension from Ø 3 mm*
- + Einfache und schnelle Montage *simple and fast assembling*
- + Hohe Schutzart IP67 *high protection class IP67*
- + Hohe Schaltfrequenz *high switching frequency*
- + Hohe Schaltabstände *high operation distance*
- + Normstecker M8 und M12 mit integrierter Ring-LED *metal connector M8 and M12*
- + Ausgänge kurzschlußfest *output short-circuit-proof*
- + Erfassung kleinster Teile *detection of smallest items*
- + Kostengünstige Lösungen *costs and time saving solution*
- + Garantie 2 Jahre *warranty 2 years*
- + Anwendungsbezogene Sonderausführungen möglich *special sizes are available on request*

Typenschlüssel *coding*

DC T G L -(X) 8- P S K -ST3 /150

DC	DC I AC
T	D = doppelter Sn <i>double s.r.</i> T = dreifacher Sn <i>triple s.r.</i>
G	Interner Code <i>internal code</i> Q = rechteckig <i>cubeoid</i>
L	M = mini S = kurz <i>short</i> ohne = Standard <i>w/o = standard</i> L = lang <i>long</i>
(X)	bündig <i>flush</i> O = nicht bündig <i>non flush</i>
8	Bauform <i>dimension</i>
P	P = pnp N = npn A = analog
S	U = NO-NC S = NO O = NC A = NO+NC I = Stromausgang <i>current output</i> V = Spannungsausgang <i>voltage output</i>
K	K = Kurzschlußfest <i>short circuit proof</i>
ST3	ST3 = Stecker M8 <i>plug M8</i> ST3-4 = Stecker M8 4polig <i>plug M8 4pole</i> ST4 = Stecker M12 <i>plug M12</i>
	2m = Kabel 2m <i>cable</i> KLR = Klemmraum <i>clamp terminal</i>
/150	/150 = Temperatur in °C <i>temperature in °C</i>

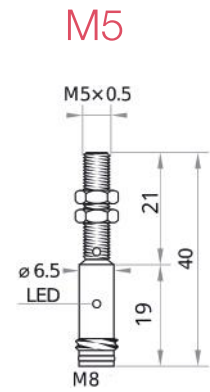
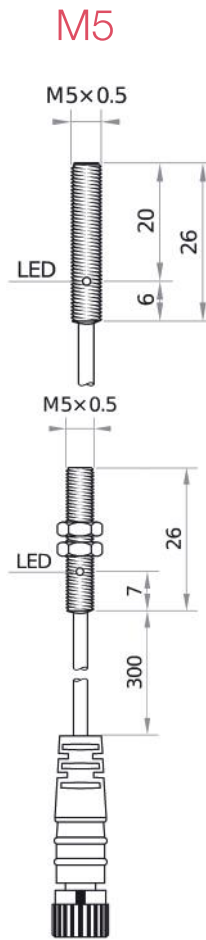
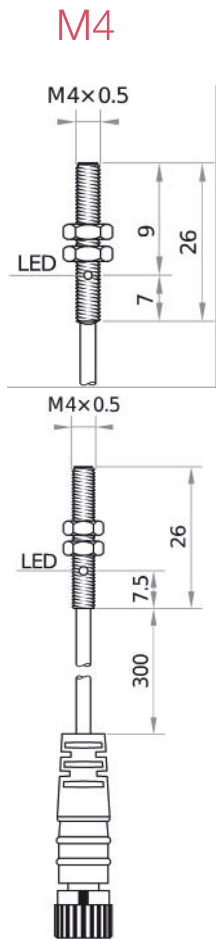


Schaltabstand <i>sensing range</i>	0,6 mm	1 mm	0,8 mm	1,5 mm
Eigenstromaufnahme <i>intern. power consumpt.</i>	< 8 mA		< 8 mA	
Spannungsabfall <i>voltage drop</i>	< 1,5 V		< 1,5 V	
Schalthysterese <i>switching hysteresis</i>	< 15 %		< 15 %	
Reproduzierbarkeit <i>reproducibility</i>	< 1 %		< 1 %	
Temperaturdrift <i>temperature drift</i>	< 10 %		< 10 %	
Betriebsspannung <i>service-voltage</i>	10-30 VDC		10-30 VDC	
Umgebungstemperatur <i>ambient temperature</i>	- 10°C ... + 60°C		- 10°C ... + 60°C	
Gehäusematerial <i>casing material</i>	Edelstahl <i>stainless steel</i>		Edelstahl <i>stainless steel</i>	
Schutzart <i>protection class</i>	IP 67		IP 67	
Schaltfrequenz <i>max. operating frequency</i>	2 kHz		2 kHz	
Einbauart <i>mounting</i>	bündig flush		bündig flush	
max. Laststrom <i>max. load current</i>	200 mA / kurzschlußfest <i>short-circuit-proof</i>		200 mA / kurzschlußfest <i>short-circuit-proof</i>	

Ausgang* *output** - Anschluss *connection*

PNP-NO - 2m Kabel <i>cable</i>	DCG-3-PSK-2m	DCDG-3-PSK-2m	DCG-4-PSK-2m	DCDG-4-PSK-2m
PNP-NC - 2m Kabel <i>cable</i>	DCG-3-POK-2m	DCDG-3-POK-2m	DCG-4-POK-2m	DCDG-4-POK-2m
PNP-NO - 300mm Kabelstecker <i>pigtail</i>	DCG-3-PSK-KST3	DCDG-3-PSK-KST3	DCG-4-PSK-KST3	DCDG-4-PSK-KST3
PNP-NC - 300mm Kabelstecker <i>pigtail</i>	DCG-3-POK-KST3	DCDG-3-POK-KST3	DCG-4-POK-KST3	DCDG-4-POK-KST3
PNP-NO - Stecker M8 <i>connector M8</i>				
PNP-NC - Stecker M8 <i>connector M8</i>				
auch als NPN Variante verfügbar <i>also in NPN available</i>	ja		ja	
	yes		yes	

Induktive Näherungsschalter *inductive proximity switches*



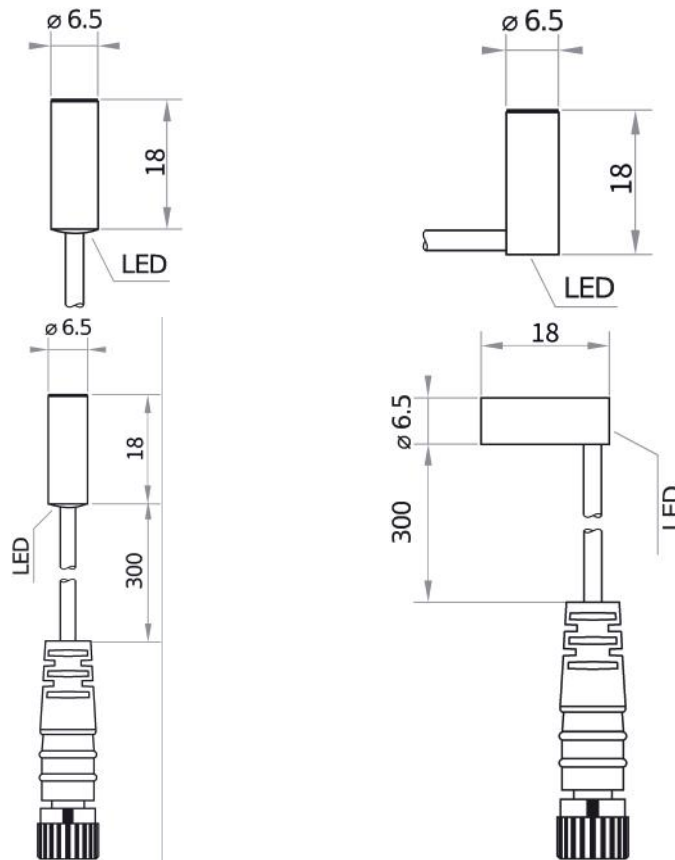
0,6 mm	1 mm	0,8 mm	1,5 mm	0,8 mm	1,5 mm
< 8 mA		< 8 mA		< 8 mA	
< 1,5 V		< 1,5 V		< 1,5 V	
< 15 %		< 15 %		< 15 %	
< 1 %		< 1 %		< 1 %	
< 10 %		< 10 %		< 10 %	
10-30 VDC		10-30 VDC		10-30 VDC	
- 10°C ... + 60°C		- 10°C ... + 60°C		- 10°C ... + 60°C	
Edelstahl <i>stainless steel</i>		Edelstahl <i>stainless steel</i>		Edelstahl <i>stainless steel</i>	
IP 67		IP 67		IP 67	
2 kHz		2 kHz		2 kHz	
bündig <i>flush</i>		bündig <i>flush</i>		bündig <i>flush</i>	
200 mA / kurzschlußfest <i>short-circuit-proof</i>		200 mA / kurzschlußfest <i>short-circuit-proof</i>		200 mA / kurzschlußfest <i>short-circuit-proof</i>	

DCG-4,0-PSK-2m	DCDG-4,0-PSK-2m	DCG-5-PSK-2m	DCDG-5-PSK-2m
DCG-4,0-POK-2m	DCDG-4,0-POK-2m	DCG-5-POK-2m	DCDG-5-POK-2m
DCG-4,0-PSK-KST3	DCDG-4,0-PSK-KST3	DCG-5-PSK-KST3	DCDG-5-PSK-KST3
DCG-4,0-POK-KST3	DCDG-4,0-POK-KST3	DCG-5-POK-KST3	DCDG-5-40K-KST3

DCG-5-PSK-ST3	DCDG-5-PSK-ST3
DCG-5-POK-ST3	DCDG-5-POK-ST3

ja		ja		ja
yes		yes		yes

Ø 6,5 mm

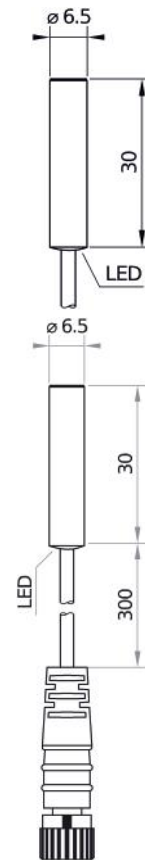
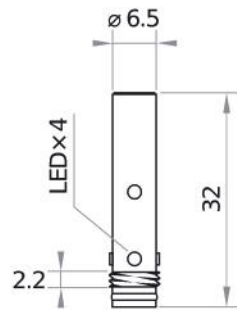


Schaltabstand <i>sensing range</i>	2 mm	3 mm	2 mm	3 mm
Eigenstromaufnahme <i>intern. power consumpt.</i>	< 8 mA		< 8 mA	
Spannungsabfall <i>voltage drop</i>	< 1,5 V		< 1,5 V	
Schalthysterese <i>switching hysteresis</i>	< 15 %		< 15 %	
Reproduzierbarkeit <i>reproducibility</i>	< 1 %		< 1 %	
Temperaturdrift <i>temperature drift</i>	< 10 %		< 10 %	
Betriebsspannung <i>service-voltage</i>	10-30 VDC		10-30 VDC	
Umgebungstemperatur <i>ambient temperature</i>	- 10°C ... + 60°C		- 10°C ... + 60°C	
Gehäusematerial <i>casing material</i>	Edelstahl <i>stainless steel</i>		Edelstahl <i>stainless steel</i>	
Schutzart <i>protection class</i>	IP 67		IP 67	
Schaltfrequenz <i>max. operating frequency</i>	2 kHz		2 kHz	
Einbauart <i>mounting</i>	bündig flush		bündig flush	
max. Laststrom <i>max. load current</i>	200 mA / kurzschlußfest <i>short-circuit-proof</i>		200 mA / kurzschlußfest <i>short-circuit-proof</i>	

Ausgang* *output** - Anschluss *connection*

PNP-NO - 2m Kabel <i>cable</i>	DCDGM-65-PSK-2m DCTGM-65-PSK-2m	DCDGRM-65-PSK-2m DCTGRM-65-PSK-2m
PNP-NC - 2m Kabel <i>cable</i>	DCDGM-65-POK-2m DCTGM-65-POK-2m	DCDGRM-65-POK-2m DCTGRM-65-POK-2m
PNP-NO - 300mm Kabelstecker <i>pigtail</i>	DCDGM-65-PSK-KST3 DCTGM-65-PSK-KST3	DCDGRM-65-PSK-KST3 DCTGRM-65-PSK-KST3
PNP-NC - 300mm Kabelstecker <i>pigtail</i>	DCDGM-65-POK-KST3 DCTGM-65-POK-KST3	DCDGRM-65-POK-KST3 DCTGRM-65-POK-KST3
PNP-NO - Stecker M8 <i>connector M8</i>		
PNP-NC - Stecker M8 <i>connector M8</i>		
auch als NPN Variante verfügbar <i>also in NPN available</i>	ja <i>yes</i>	ja <i>yes</i>

Ø 6,5 mm



1 mm | 2 mm | 3mm

< 8 mA

< 1,5 V

< 15 %

< 1 %

< 10 %

10-30 VDC

- 10°C ... + 60°C

Edelstahl *stainless steel*

IP 67

2 kHz

bündig *flush*

200 mA / kurzschlußfest *short-circuit-proof*

1 mm | 2 mm | 3mm

< 8 mA

< 1,5 V

< 15 %

< 1 %

< 10 %

10-30 VDC

- 10°C ... + 60°C

Edelstahl *stainless steel*

IP 67

2 kHz

bündig *flush*

200 mA / kurzschlußfest *short-circuit-proof*

DCGS-65-PSK-2m | DCDGS-65-PSK-2m | DCTGS-65-PSK-2m

DCGS-65-POK-2m | DCDGS-65-POK-2m | DCTGS-65-PSK-2m

DCGS-65-PSK-KST3 | DCDGS-65-PSK-KST3 | DCTGS-65-PSK-KST3

DCGS-65-POK-KST3 | DCDGS-65-POK-KST3 | DCTGS-65-POK-KST3

DCGM-65-PSK-ST3 | DCDGM-65-PSK-ST3 | DCTGM-65-PSK-ST3

DCGM-65-POK-ST3 | DCDGM-65-POK-ST3 | DCTGM-65-POK-ST3

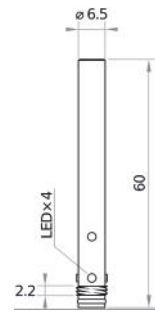
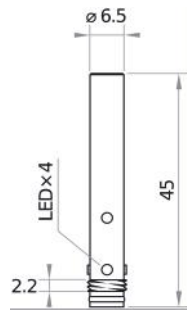
ja

yes

ja

yes

Ø 6,5 mm

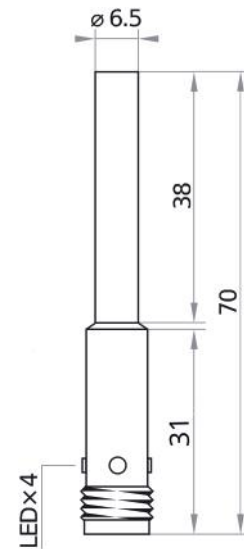


Schaltabstand <i>sensing range</i>	1 mm	2 mm	3 mm	2 mm	3 mm
Eigenstromaufnahme <i>intern. power consumpt.</i>	< 8 mA			< 8 mA	
Spannungsabfall <i>voltage drop</i>	< 1,5 V			< 1,5 V	
Schalthysterese <i>switching hysteresis</i>	< 15 %			< 15 %	
Reproduzierbarkeit <i>reproducibility</i>	< 1 %			< 1 %	
Temperaturdrift <i>temperature drift</i>	< 10 %			< 10 %	
Betriebsspannung <i>service-voltage</i>	10-30 VDC			10-30 VDC	
Umgebungstemperatur <i>ambient temperature</i>	- 10°C ... + 60°C			- 10°C ... + 60°C	
Gehäusematerial <i>casing material</i>	Edelstahl <i>stainless steel</i>			Edelstahl <i>stainless steel</i>	
Schutzart <i>protection class</i>	IP 67			IP 67	
Schaltfrequenz <i>max. operating frequency</i>	2 kHz			2 kHz	
Einbauart <i>mounting</i>	bündig <i>flush</i>			bündig <i>flush</i>	
max. Laststrom <i>max. load current</i>	200 mA / kurzschlußfest <i>short-circuit-proof</i>			200 mA / kurzschlußfest <i>short-circuit-proof</i>	

Ausgang* *output** - Anschluss *connection*

PNP-NO - 2m Kabel <i>cable</i>		
PNP-NC - 2m Kabel <i>cable</i>		
PNP-NO - Stecker M12 <i>connector M12</i>		
PNP-NC - Stecker M12 <i>connector M12</i>		
PNP-NO - Stecker M8 <i>connector M8</i>	DCGS-65-PSK-ST3 DCDGS-65-PSK-ST3 DCTGS-65-PSK-ST3	DCDGL-65-PSK-ST3 DCTGL-65-PSK-ST3
PNP-NC - Stecker M8 <i>connector M8</i>	DCGS-65-POK-ST3 DCDGS-65-POK-ST3 DCTGS-65-POK-ST3	DCDGL-65-POK-ST3 DCTGL-65-POK-ST3
auch als NPN Variante verfügbar <i>also in NPN available</i>	ja <i>yes</i>	ja <i>yes</i>

Ø 6,5 mm



	1 mm	2 mm	3mm		1 mm	2 mm	3mm
	< 8 mA				< 8 mA		
	< 1,5 V				< 1,5 V		
	< 15 %				< 15 %		
	< 1 %				< 1 %		
	< 10 %				< 10 %		
	10-30 VDC				10-30 VDC		
	- 10°C ... + 60°C				- 10°C ... + 60°C		
	Edelstahl <i>stainless steel</i>				Edelstahl <i>stainless steel</i>		
	IP 67				IP 67		
	2 kHz				2 kHz		
	bündig <i>flush</i>				bündig <i>flush</i>		
	200 mA / kurzschlußfest <i>short-circuit-proof</i>				200 mA / kurzschlußfest <i>short-circuit-proof</i>		

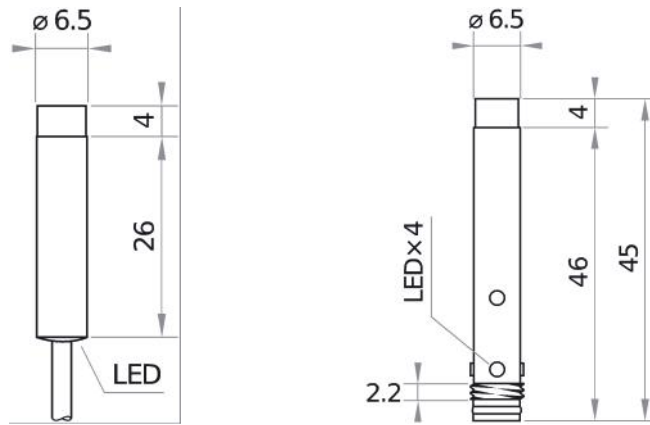
DCGL-65-PSK-2m | DCDGL-65-PSK-2m | DCTGL-65-PSK-2m
 DCGL-65-POK-2m | DCDGL-65-POK-2m | DCTGL-65-PSK-2m

DCGL-65-PSK-ST4 | DCDGL-65-PSK-ST4 | DCTGL-65-PSK-ST4
 DCGL-65-POK-ST4 | DCDGL-65-POK-ST4 | DCTGL-65-POK-ST4

ja
 yes

ja
 yes

Ø 6,5 mm

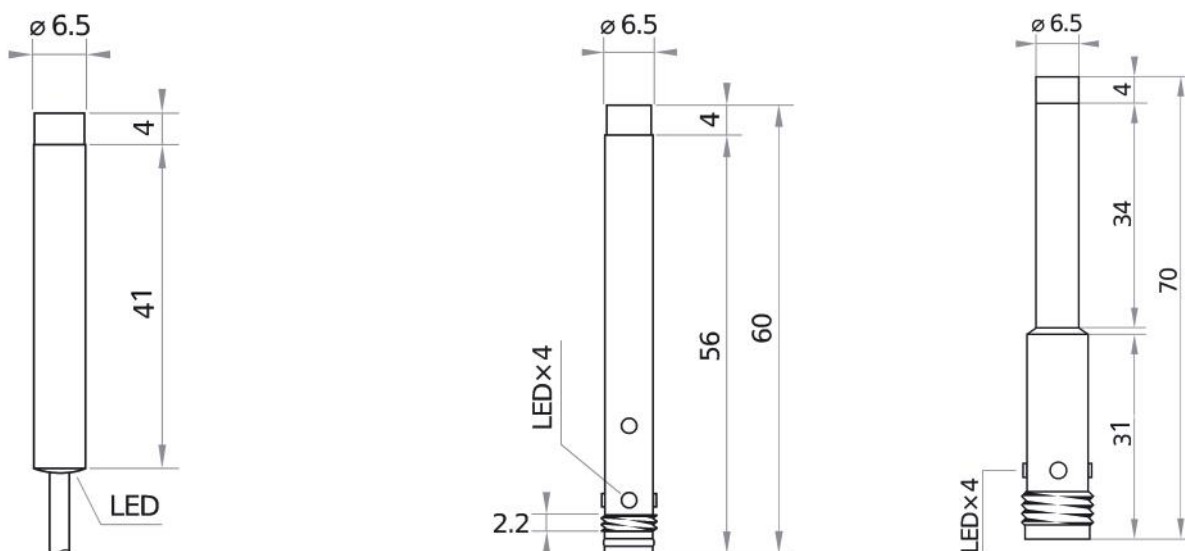


Schaltabstand <i>sensing range</i>	2 mm	4 mm	6 mm	4 mm	6 mm
Eigenstromaufnahme <i>intern. power consumpt.</i>	< 8 mA			< 8 mA	
Spannungsabfall <i>voltage drop</i>	< 1,5 V			< 1,5 V	
Schalthysterese <i>switching hysteresis</i>	< 15 %			< 15 %	
Reproduzierbarkeit <i>reproducibility</i>	< 1 %			< 1 %	
Temperaturdrift <i>temperature drift</i>	< 10 %			< 10 %	
Betriebsspannung <i>service-voltage</i>	10-30 VDC			10-30 VDC	
Umgebungstemperatur <i>ambient temperature</i>	- 10°C ... + 60°C			- 10°C ... + 60°C	
Gehäusematerial <i>casing material</i>	Edelstahl <i>stainless steel</i>			Edelstahl <i>stainless steel</i>	
Schutzart <i>protection class</i>	IP 67			IP 67	
Schaltfrequenz <i>max. operating frequency</i>	2 kHz			2 kHz	
Einbauart <i>mounting</i>	nicht bündig <i>non flush</i>			nicht bündig <i>non flush</i>	
max. Laststrom <i>max. load current</i>	200 mA / kurzschlußfest <i>short-circuit-proof</i>			200 mA / kurzschlußfest <i>short-circuit-proof</i>	

Ausgang* *output** - Anschluss *connection*

PNP-NO - 2m Kabel <i>cable</i>	DCGS-065-PSK-2m DCDGS-065-PSK-2m DCTGS-065-PSK-2m	
PNP-NC - 2m Kabel <i>cable</i>	DCGS-065-POK-2m DCDGS-065-POK-2m DCTGS-065-POK-2m	
PNP-NO - Stecker M12 <i>connector M12</i>		
PNP-NC - Stecker M12 <i>connector M12</i>		
PNP-NO - Stecker M8 <i>connector M8</i>		DCDGL-065-PSK-ST3 DCTGL-065-PSK-ST3
PNP-NC - Stecker M8 <i>connector M8</i>		DCDGL-065-POK-ST3 DCTGL-065-POK-ST3
auch als NPN Variante verfügbar <i>also in NPN available</i>	ja <i>yes</i>	ja <i>yes</i>

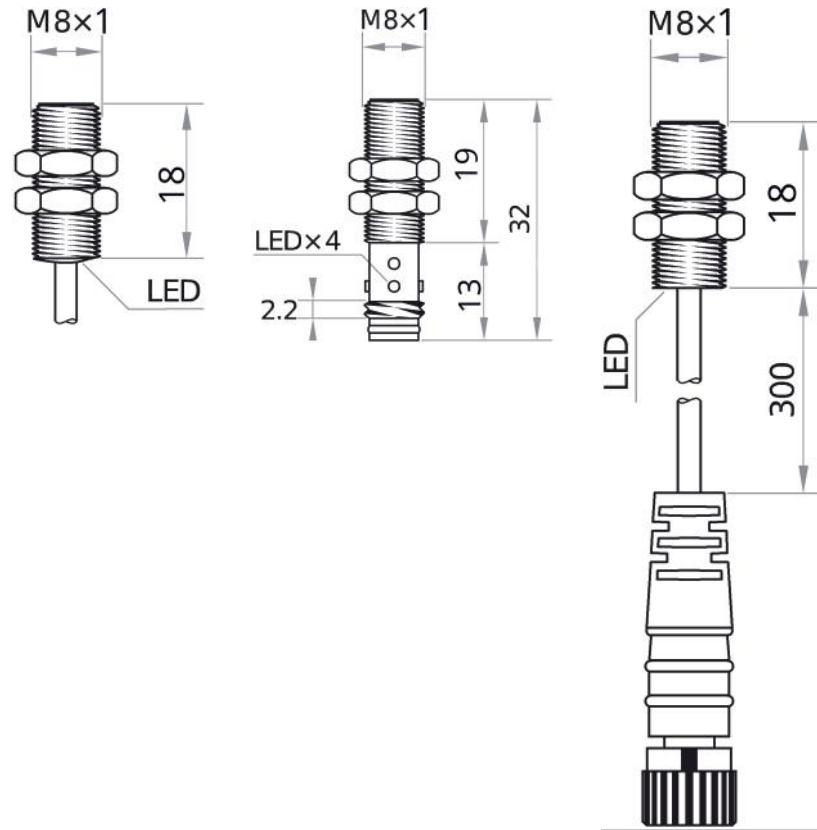
Ø 6,5 mm



4 mm	6 mm	4 mm	6 mm	4 mm	6 mm
< 8 mA		< 8 mA		< 8 mA	
< 1,5 V		< 1,5 V		< 1,5 V	
< 15 %		< 15 %		< 15 %	
< 1 %		< 1 %		< 1 %	
< 10 %		< 10 %		< 10 %	
10-30 VDC		10-30 VDC		10-30 VDC	
- 10°C ... + 60°C		- 10°C ... + 60°C		- 10°C ... + 60°C	
Edelstahl <i>stainless steel</i>		Edelstahl <i>stainless steel</i>		Edelstahl <i>stainless steel</i>	
IP 67		IP 67		IP 67	
2 kHz		2 kHz		2 kHz	
nicht bündig <i>non flush</i>		nicht bündig <i>non flush</i>		nicht bündig <i>non flush</i>	
200 mA / kurzschlußfest <i>short-circuit-proof</i>		200 mA / kurzschlußfest <i>short-circuit-proof</i>		200 mA / kurzschlußfest <i>short-circuit-proof</i>	

DCDGL-065-PSK-2m DCTGL-065-PSK-2m		
DCDGL-065-POK-2m DCTGL-065-POK-2m		
		DCDGL-065-PSK-ST4 DCTGL-065-PSK-ST4
		DCDGL-065-POK-ST4 DCTGL-065-POK-ST4
	DCDGL-065-PSK-ST3 DCTGL-065-PSK-ST3	
	DCDGL-065-POK-ST3 DCTGL-065-POK-ST3	
ja	ja	ja
yes	yes	yes

M8

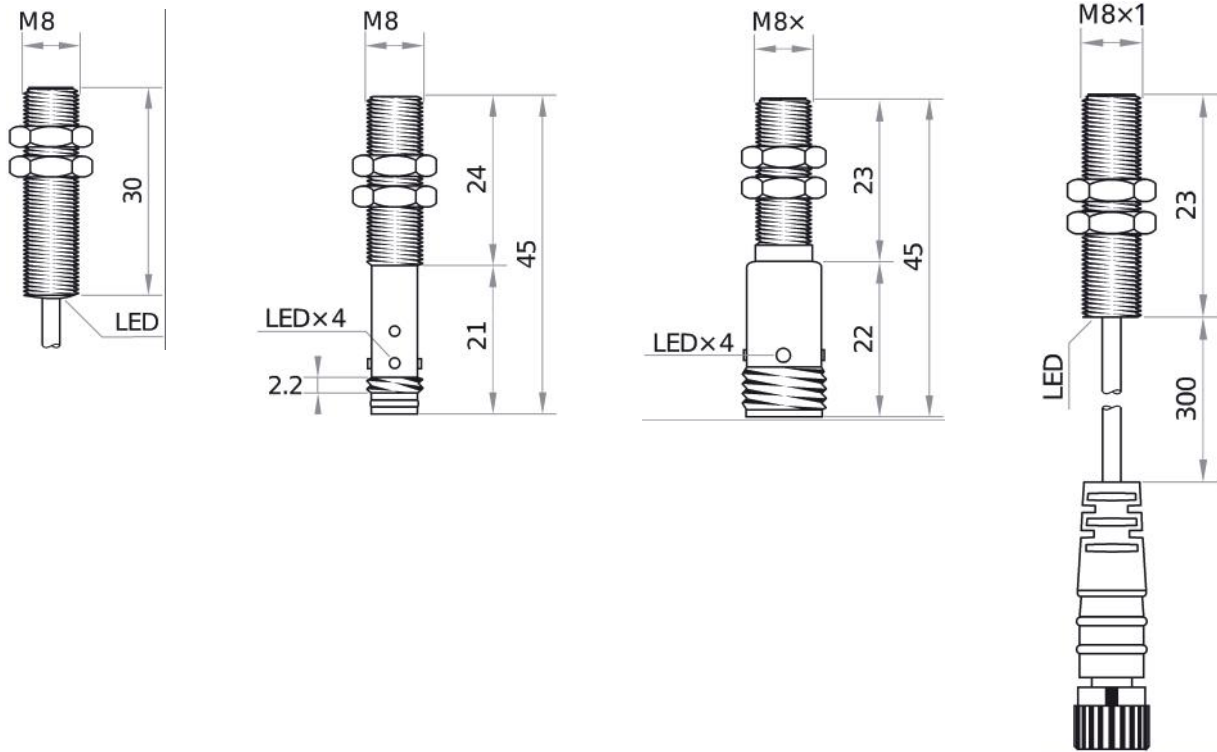


Schaltabstand <i>sensing range</i>	1 mm	2 mm	3 mm	4 mm
Eigenstromaufnahme <i>intern. power consumpt.</i>	< 8 mA			
Spannungsabfall <i>voltage drop</i>	< 1,5 V			
Schalthyserese <i>switching hysteresis</i>	< 15 %			
Reproduzierbarkeit <i>reproducibility</i>	< 1 %			
Temperaturdrift <i>temperature drift</i>	< 10 %			
Betriebsspannung <i>service-voltage</i>	10-30 VDC			
Umgebungstemperatur <i>ambient temperature</i>	- 10°C ... + 60°C			
Gehäusematerial <i>casing material</i>	Edelstahl <i>stainless steel</i>			
Schutzart <i>protection class</i>	IP 67			
Schaltfrequenz <i>max. operating frequency</i>	2 kHz			
Einbauart <i>mounting</i>	bündig <i>flush</i>			quasi bündig <i>semi flush</i>
max. Laststrom <i>max. load current</i>	200 mA / kurzschlußfest <i>short-circuit-proof</i>			

Ausgang* *output** - Anschluss *connection*

PNP-NO - 2m Kabel <i>cable</i>	DCDGM-8-PSK-2m	DCTGM-8-PSK-2m	DCUGM-8-PSK-2m	
PNP-NC - 2m Kabel <i>cable</i>	DCDGM-8-POK-2m	DCTGM-8-POK-2m	DCUGM-8-POK-2m	
PNP-NO - Kabelstecker M8 <i>pigtail M8</i>				
PNP-NC - Kabelstecker M8 <i>pigtail M8</i>				
PNP-NO - Stecker M8 <i>connector M8</i>	DCGM-8-PSK-ST3	DCDGM-8-PSK-ST3	DCTGM-8-PSK-ST3	DCUGM-8-PSK-ST3
PNP-NC - Stecker M8 <i>connector M8</i>	DCGM-8-POK-ST3	DCDGM-8-POK-ST3	DCTGM-8-POK-ST3	DCUGM-8-POK-ST3
PNP-NO - Stecker M12 <i>connector M12</i>				
PNP-NC - Stecker M12 <i>connector M12</i>				
auch als NPN Variante verfügbar <i>also in NPN available</i>	ja <i>yes</i>			

M8

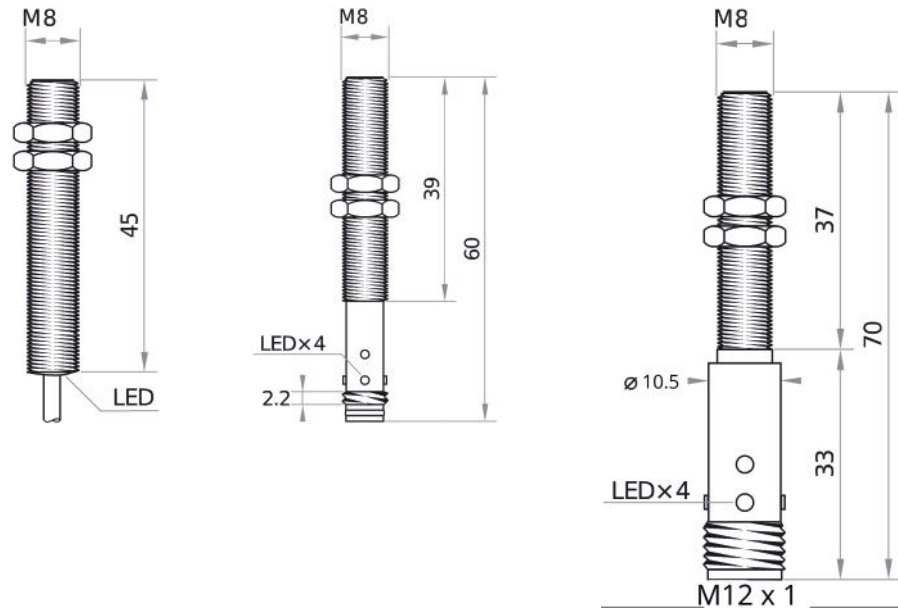


	1 mm	2 mm	3 mm	4 mm
	< 8 mA			
	< 1,5 V			
	< 15 %			
	< 1 %			
	< 10 %			
	10-30 VDC			
	- 10°C ... + 60°C			
	Edelstahl <i>stainless steel</i>			
	IP 67			
	2 kHz			
	bündig flush			I quasi bündig <i>semi flush</i>
	200 mA / kurzschlußfest <i>short-circuit-proof</i>			

DCGS-8-PSK-2m	I DCDGS-8-PSK-2m	I DCTGS-8-PSK-2m	I DCUGS-8-PSK-2m
DCGS-8-POK-2m	I DCDGS-8-POK-2m	I DCTGS-8-POK-2m	I DCUGS-8-POK-2m
DCGS-8-PSK-KST3	I DCDGS-8-PSK-KST3	I DCTGS-8-PSK-KST3	I DCUGS-8-PSK-KST3
DCGS-8-POK-KST3	I DCDGS-8-POK-KST3	I DCTGS-8-POK-KST3	I DCUGS-8-POK-KST3
DCGS-8-PSK-ST3	I DCDGS-8-PSK-ST3	I DCTGS-8-PSK-ST3	I DCUGS-8-PSK-ST3
DCGS-8-POK-ST3	I DCDGS-8-POK-ST3	I DCTGS-8-POK-ST3	I DCUGS-8-POK-ST3
	I DCDGS-8-PSK-ST4	I DCTGS-8-PSK-ST4	I DCUGS-8-PSK-ST4
	I DCDGS-8-POK-ST4	I DCTGS-8-POK-ST4	I DCUGS-8-POK-ST4

ja
yes

M8

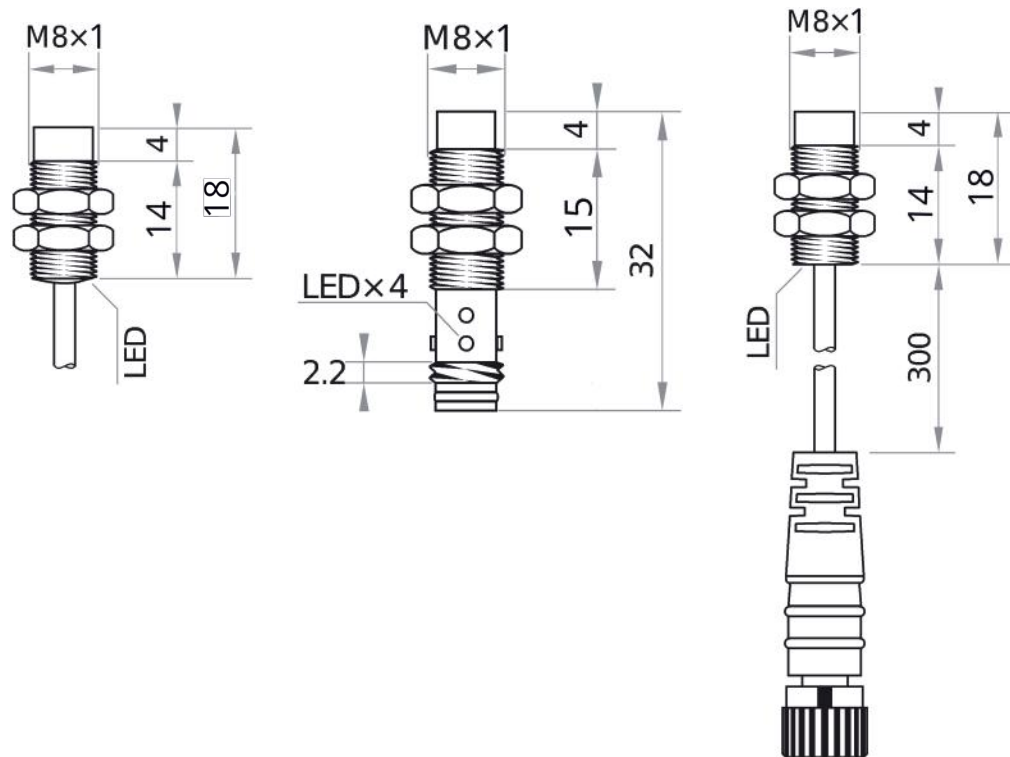


Schaltabstand <i>sensing range</i>	1 mm	2 mm	3 mm	4 mm
Eigenstromaufnahme <i>intern. power consumpt.</i>	< 8 mA			
Spannungsabfall <i>voltage drop</i>	< 1,5 V			
Schalthysterese <i>switching hysteresis</i>	< 15 %			
Reproduzierbarkeit <i>reproducibility</i>	< 1 %			
Temperaturdrift <i>temperature drift</i>	< 10 %			
Betriebsspannung <i>service-voltage</i>	10-30 VDC			
Umgebungstemperatur <i>ambient temperature</i>	- 10°C ... + 60°C			
Gehäusematerial <i>casing material</i>	Edelstahl <i>stainless steel</i>			
Schutzart <i>protection class</i>	IP 67			
Schaltfrequenz <i>max. operating frequency</i>	2 kHz			
Einbauart <i>mounting</i>	bündig <i>flush</i>			quasi bündig <i>semi flush</i>
max. Laststrom <i>max. load current</i>	200 mA / kurzschlußfest <i>short-circuit-proof</i>			

Ausgang* *output** - Anschluss *connection*

PNP-NO - 2m Kabel <i>cable</i>	DCGL-8-PSK-2m	DCDGL-8-PSK-2m	DCTGL-8-PSK-2m	DCUGL-8-PSK-2m
PNP-NC - 2m Kabel <i>cable</i>	DCGL-8-POK-2m	DCDGL-8-POK-2m	DCTGL-8-POK-2m	DCUGL-8-POK-2m
PNP-NO - Kabelstecker M8 <i>pigtail M8</i>				
PNP-NC - Kabelstecker M8 <i>pigtail M8</i>				
PNP-NO - Stecker M8 <i>connector M8</i>	DCGL-8-PSK-ST3	DCDGL-8-PSK-ST3	DCTGL-8-PSK-ST3	DCUGL-8-PSK-ST3
PNP-NC - Stecker M8 <i>connector M8</i>	DCGL-8-POK-ST3	DCDGL-8-POK-ST3	DCTGL-8-POK-ST3	DCUGL-8-POK-ST3
PNP-NO - Stecker M12 <i>connector M12</i>	DCGL-8-PSK-ST4	DCDGL-8-PSK-ST4	DCTGL-8-PSK-ST4	DCUGL-8-PSK-ST4
PNP-NC - Stecker M12 <i>connector M12</i>	DCGL-8-POK-ST4	DCDGL-8-POK-ST4	DCTGL-8-POK-ST4	DCUGL-8-POK-ST4
auch als NPN Variante verfügbar <i>also in NPN available</i>	ja <i>yes</i>			

M8



4 mm | 6 mm

< 8 mA

< 1,5 V

< 15 %

< 1 %

< 10 %

10-30 VDC

- 10°C ... + 60°C

Edelstahl *stainless steel*

IP 67

2 kHz

bündig *flush*

200 mA / kurzschlußfest *short-circuit-proof*

DCDGM-08-PSK-2m

| DCTGM-08-PSK-2m

DCDGM-08-POK-2m

| DCTGM-08-POK-2m

DCDGM-08-PSK-KST3

| DCTGM-08-PSK-KST3

DCDGM-08-POK-KST3

| DCTGM-08-POK-KST3

DCDGM-08-PSK-ST3

| DCTGM-08-PSK-ST3

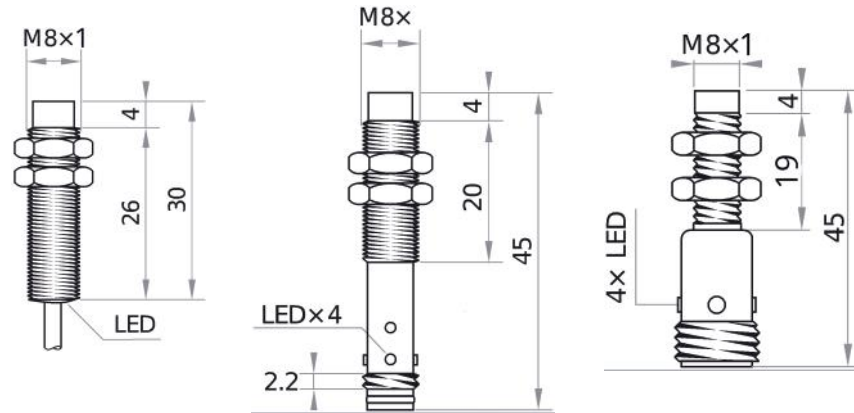
DCDGM-08-POK-ST3

| DCTGM-08-POK-ST3

ja

yes

M8

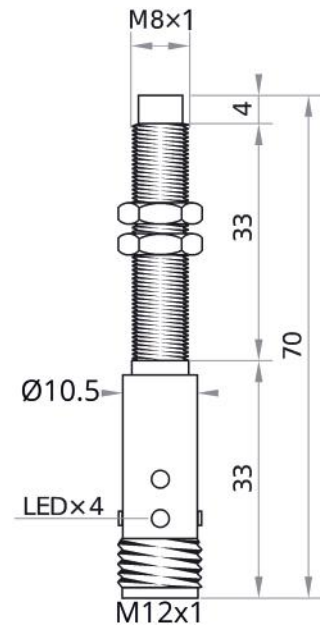
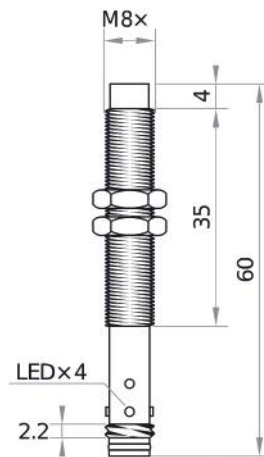
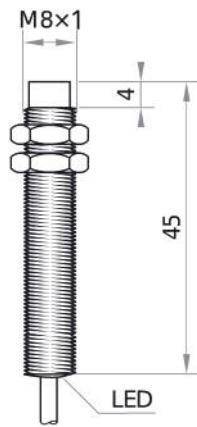


Schaltabstand <i>sensing range</i>	2 mm	4 mm	6 mm
Eigenstromaufnahme <i>intern. power consumpt.</i>	< 8 mA		
Spannungsabfall <i>voltage drop</i>	< 1,5 V		
Schalthysterese <i>switching hysteresis</i>	< 15 %		
Reproduzierbarkeit <i>reproducibility</i>	< 1 %		
Temperaturdrift <i>temperature drift</i>	< 10 %		
Betriebsspannung <i>service-voltage</i>	10-30 VDC		
Umgebungstemperatur <i>ambient temperature</i>	- 10°C ... + 60°C		
Gehäusematerial <i>casing material</i>	Edelstahl <i>stainless steel</i>		
Schutzart <i>protection class</i>	IP 67		
Schaltfrequenz <i>max. operating frequency</i>	2 kHz		
Einbauart <i>mounting</i>	bündig <i>flush</i>		
max. Laststrom <i>max. load current</i>	200 mA / kurzschlußfest <i>short-circuit-proof</i>		

Ausgang* *output** - Anschluss *connection*

PNP-NO - 2m Kabel <i>cable</i>	DCGS-08-PSK-2m	DCDGS-08-PSK-2m	DCTGS-08-PSK-2m
PNP-NC - 2m Kabel <i>cable</i>	DCGS-08-POK-2m	DCDGS-08-POK-2m	DCTGS-08-POK-2m
PNP-NO - Kabelstecker M8 <i>pigtail M8</i>			
PNP-NC - Kabelstecker M8 <i>pigtail M8</i>			
PNP-NO - Stecker M8 <i>connector M8</i>	DCGS-08-PSK-ST3	DCDGS-08-PSK-ST3	DCTGS-08-PSK-ST3
PNP-NC - Stecker M8 <i>connector M8</i>	DCGS-08-POK-ST3	DCDGS-08-POK-ST3	DCTGS-08-POK-ST3
PNP-NO - Stecker M12 <i>connector M12</i>	DCGS-08-PSK-ST4	DCDGS-08-PSK-ST4	DCTGS-08-PSK-ST4
PNP-NC - Stecker M12 <i>connector M12</i>	DCGS-08-POK-ST4	DCDGS-08-POK-ST4	DCTGS-08-POK-ST4
auch als NPN Variante verfügbar <i>also in NPN available</i>	ja <i>yes</i>		

M8



2 mm	4 mm	6 mm
------	------	------

< 8 mA

< 1,5 V

< 15 %

< 1 %

< 10 %

10-30 VDC

- 10°C ... + 60°C

Edelstahl *stainless steel*

IP 67

2 kHz

bündig *flush*

200 mA / kurzschlußfest *short-circuit-proof*

DCGL-08-PSK-2m	DCDGL-08-PSK-2m	DCTGL-08-PSK-2m
----------------	-----------------	-----------------

DCGL-08-POK-2m	DCDGL-08-POK-2m	DCTGL-08-POK-2m
----------------	-----------------	-----------------

DCGL-08-PSK-ST3	DCDGL-08-PSK-ST3	DCTGL-08-PSK-ST3
-----------------	------------------	------------------

DCGL-08-PSK-ST3	DCDGL-08-PSK-ST3	DCTGL-08-PSK-ST3
-----------------	------------------	------------------

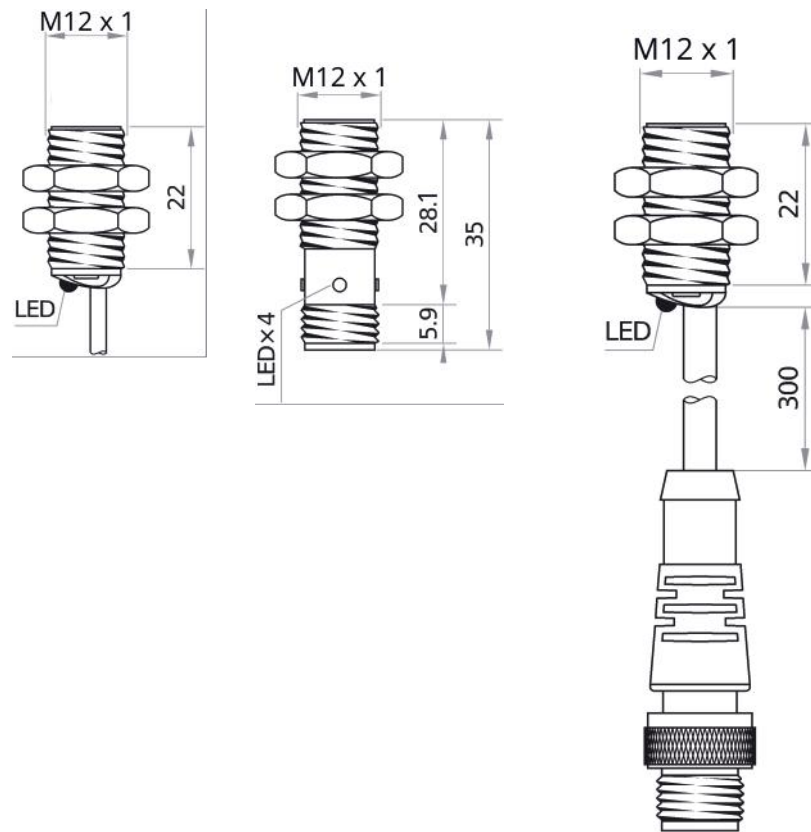
DCGL-08-PSK-ST4	DCDGL-08-PSK-ST4	DCTGL-08-PSK-ST4
-----------------	------------------	------------------

DCGL-08-POK-ST4	DCDGL-08-POK-ST4	DCTGL-08-POK-ST4
-----------------	------------------	------------------

ja

yes

M12

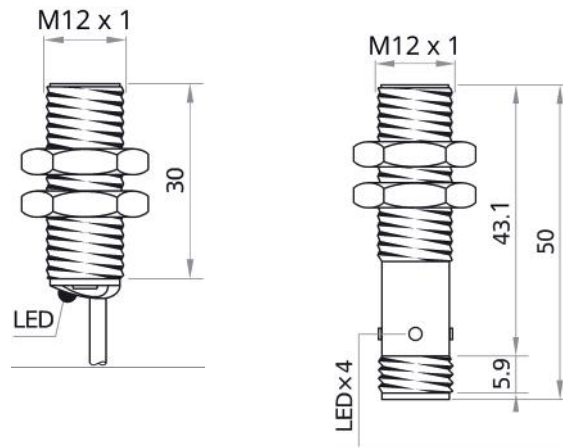


Schaltabstand <i>sensing range</i>	2 mm	4 mm	6 mm	8 mm
Eigenstromaufnahme <i>intern. power consumpt.</i>	< 8 mA			
Spannungsabfall <i>voltage drop</i>	< 1,5 V			
Schalthysterese <i>switching hysteresis</i>	< 15 %			
Reproduzierbarkeit <i>reproducibility</i>	< 1 %			
Temperaturdrift <i>temperature drift</i>	< 10 %			
Betriebsspannung <i>service-voltage</i>	10-30 VDC			
Umgebungstemperatur <i>ambient temperature</i>	- 10°C ... + 60°C			
Gehäusematerial <i>casing material</i>	Messing <i>Brass</i>			
Schutzart <i>protection class</i>	IP 67			
Schaltfrequenz <i>max. operating frequency</i>	2 kHz			
Einbauart <i>mounting</i>	bündig <i>flush</i>		quasi bündig <i>semi flush</i>	quasi bündig <i>semi flush</i>
max. Laststrom <i>max. load current</i>	200 mA / kurzschlußfest <i>short-circuit-proof</i>			

Ausgang* *output** - Anschluss *connection*

PNP-NO - 2m Kabel <i>cable</i>	DCGM-12-PSK-2m	DCDGM-12-PSK-2m	DCTGM-12-PSK-2m	DCUGM-12-PSK-2m
PNP-NC - 2m Kabel <i>cable</i>	DCGM-12-POK-2m	DCDGM-12-POK-2m	DCTGM-12-POK-2m	DCUGM-12-POK-2m
PNP-NO - Kabelstecker M12 <i>pigtail M12</i>	DCGM-12-PSK-KST4	DCDGM-12-PSK-KST4	DCTGM-12-PSK-KST4	DCUGM-12-PSK-KST4
PNP-NC - Kabelstecker M12 <i>pigtail M12</i>	DCGM-12-POK-KST4	DCDGM-12-POK-KST4	DCTGM-12-POK-KST4	DCUGM-12-POK-KST4
PNP-NO - Stecker M12 <i>connector M12</i>	DCGM-12-PSK-ST4	DCDGM-12-PSK-ST4	DCTGM-12-PSK-ST4	DCUGM-12-PSK-ST4
PNP-NC - Stecker M12 <i>connector M12</i>	DCGM-12-POK-ST4	DCDGM-12-POK-ST4	DCTGM-12-POK-ST4	DCUGM-12-POK-ST4
auch als NPN Variante verfügbar <i>also in NPN available</i>	ja <i>yes</i>			

M12



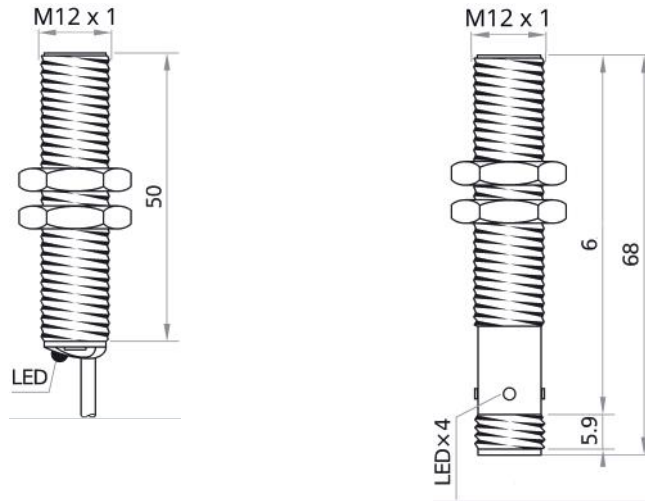
	2 mm	4 mm	6 mm	8 mm
	< 8 mA			
	< 1,5 V			
	< 15 %			
	< 1 %			
	< 10 %			
	10-30 VDC			
	- 10°C ... + 60°C			
	Messing <i>Brass</i>			
	IP 67			
	2 kHz			
	bündig <i>flush</i>		I quasi bündig <i>semi flush</i>	I quasi bündig <i>semi flush</i>
	200 mA / kurzschlußfest <i>short-circuit-proof</i>			

DCGS-12-PSK-2m	I DCDGS-12-PSK-2m	I DCTGS-12-PSK-2m	I DCUGS-12-PSK-2m
DCGS-12-POK-2m	I DCDGS-12-POK-2m	I DCTGS-12-POK-2m	I DCUGS-12-POK-2m

DCGS-12-PSK-ST4	I DCDGS-12-PSK-ST4	I DCTGS-12-PSK-ST4	I DCUGS-12-PSK-ST4
DCGS-12-POK-ST4	I DCDGS-12-POK-ST4	I DCTGS-12-POK-ST4	I DCUGS-12-POK-ST4

ja
yes

M12

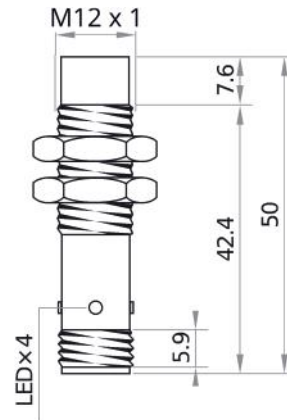
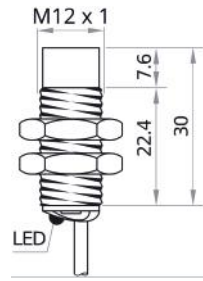


Schaltabstand <i>sensing range</i>	2 mm	4 mm	6 mm	8 mm
Eigenstromaufnahme <i>intern. power consumpt.</i>	< 8 mA			
Spannungsabfall <i>voltage drop</i>	< 1,5 V			
Schalthysterese <i>switching hysteresis</i>	< 15 %			
Reproduzierbarkeit <i>reproducibility</i>	< 1 %			
Temperaturdrift <i>temperature drift</i>	< 10 %			
Betriebsspannung <i>service-voltage</i>	10-30 VDC			
Umgebungstemperatur <i>ambient temperature</i>	- 10°C ... + 60°C			
Gehäusematerial <i>casing material</i>	Messing <i>Brass</i>			
Schutzart <i>protection class</i>	IP 67			
Schaltfrequenz <i>max. operating frequency</i>	2 kHz			
Einbauart <i>mounting</i>	bündig <i>flush</i>		quasi bündig <i>semi flush</i>	quasi bündig <i>semi flush</i>
max. Laststrom <i>max. load current</i>	200 mA / kurzschlußfest <i>short-circuit-proof</i>			

Ausgang* *output** - Anschluss *connection*

PNP-NO - 2m Kabel <i>cable</i>	DCGL-12-PSK-2m	DCDGL-12-PSK-2m	DCTGL-12-PSK-2m	DCUGL-12-PSK-2m
PNP-NC - 2m Kabel <i>cable</i>	DCGL-12-POK-2m	DCDGL-12-POK-2m	DCTGL-12-POK-2m	DCUGL-12-POK-2m
PNP-NO - Kabelstecker M12 <i>pigtail M12</i>				
PNP-NC - Kabelstecker M12 <i>pigtail M12</i>				
PNP-NO - Stecker M12 <i>connector M12</i>	DCGL-12-PSK-ST4	DCDGL-12-PSK-ST4	DCTGL-12-PSK-ST4	DCUGL-12-PSK-ST4
PNP-NC - Stecker M12 <i>connector M12</i>	DCGL-12-POK-ST4	DCDGL-12-POK-ST4	DCTGL-12-POK-ST4	DCUGL-12-POK-ST4
auch als NPN Variante verfügbar <i>also in NPN available</i>	ja <i>yes</i>			

M12



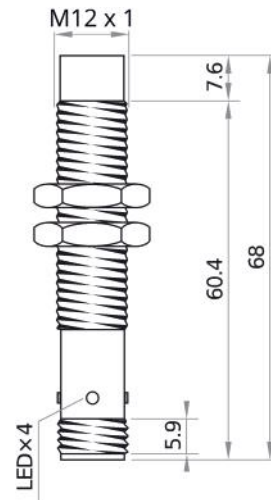
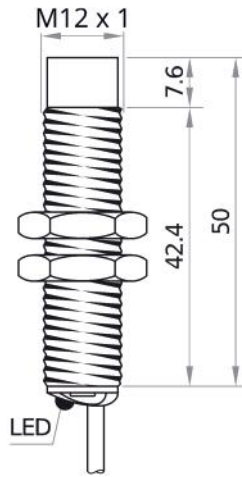
4 mm	8 mm	10 mm
< 8 mA		
< 1,5 V		
< 15 %		
< 1 %		
< 10 %		
10-30 VDC		
- 10°C ... + 60°C		
Messing <i>Brass</i>		
IP 67		
2 kHz		
bündig <i>flush</i>		
200 mA / kurzschlußfest <i>short-circuit-proof</i>		

DCGS-012-PSK-2m	DCDGS-012-PSK-2m	DCTGS-012-PSK-2m
DCGS-012-POK-2m	DCDGS-012-POK-2m	DCTGS-012-POK-2m

DCGS-012-PSK-ST4	DCDGS-012-PSK-ST4	DCTGS-012-PSK-ST4
DCGS-012-POK-ST4	DCDGS-012-POK-ST4	DCTGS-012-POK-ST4

ja
yes

M12

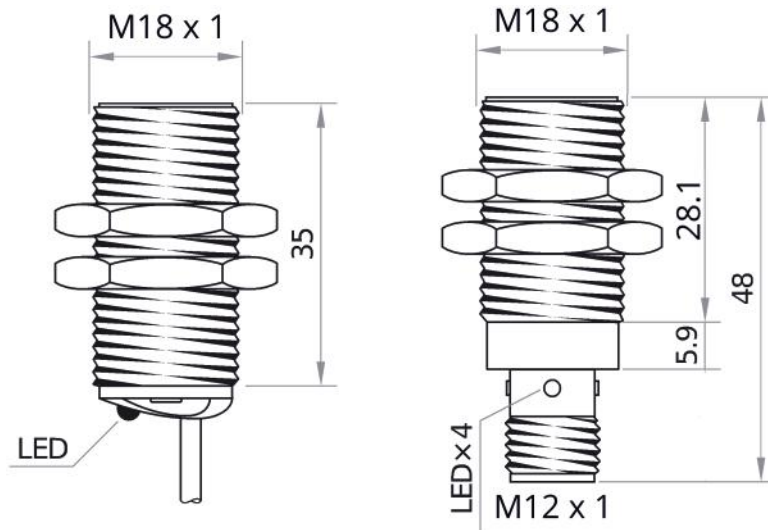


Schaltabstand <i>sensing range</i>	4 mm	8 mm	10 mm
Eigenstromaufnahme <i>intern. power consumpt.</i>	< 8 mA		
Spannungsabfall <i>voltage drop</i>	< 1,5 V		
Schalthysterese <i>switching hysteresis</i>	< 15 %		
Reproduzierbarkeit <i>reproducibility</i>	< 1 %		
Temperaturdrift <i>temperature drift</i>	< 10 %		
Betriebsspannung <i>service-voltage</i>	10-30 VDC		
Umgebungstemperatur <i>ambient temperature</i>	- 10°C ... + 60°C		
Gehäusematerial <i>casing material</i>	Messing <i>Brass</i>		
Schutzart <i>protection class</i>	IP 67		
Schaltfrequenz <i>max. operating frequency</i>	2 kHz		
Einbauart <i>mounting</i>	bündig <i>flush</i>		
max. Laststrom <i>max. load current</i>	200 mA / kurzschlußfest <i>short-circuit-proof</i>		

Ausgang* *output** - Anschluss *connection*

PNP-NO - 2m Kabel <i>cable</i>	DCGL-012-PSK-2m	DCDGL-012-PSK-2m	DCTGL-012-PSK-2m
PNP-NC - 2m Kabel <i>cable</i>	DCGL-012-POK-2m	DCDGL-012-POK-2m	DCTGL-012-POK-2m
PNP-NO - Stecker M12 <i>connector M12</i>	DCGL-012-PSK-ST4	DCDGL-012-PSK-ST4	DCTGL-012-PSK-ST4
PNP-NC - Stecker M12 <i>connector M12</i>	DCGL-012-POK-ST4	DCDGL-012-POK-ST4	DCTGL-012-POK-ST4
auch als NPN Variante verfügbar <i>also in NPN available</i>	ja <i>yes</i>		

M18

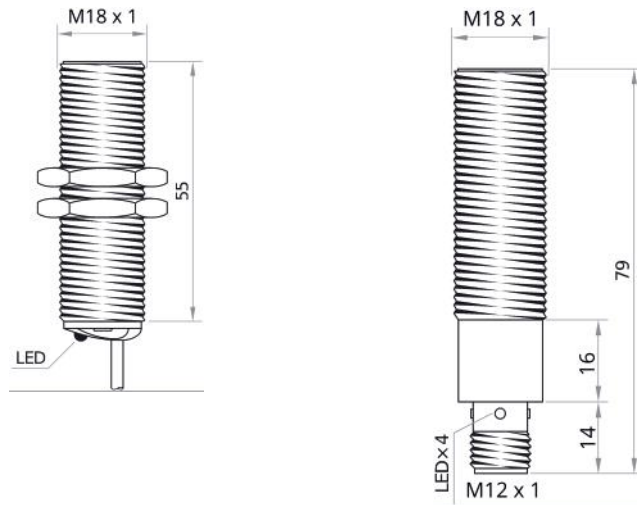


	5 mm	8 mm	12 mm	15 mm
	< 8 mA			
	< 1,5 V			
	< 15 %			
	< 1 %			
	< 10 %			
	10-30 VDC			
	- 10°C ... + 60°C			
	Messing <i>Brass</i>			
	IP 67			
	2 kHz			
	bündig <i>flush</i>		I quasi bündig <i>semi flush</i>	I quasi bündig <i>semi flush</i>
	200 mA / kurzschlußfest <i>short-circuit-proof</i>			

	DCGS-18-PSK-2m	I DCDGS-18-PSK-2m	I DCTGS-18-PSK-2m	I DCUGS-18-PSK-2m
	DCGS-18-POK-2m	I DCDGS-18-POK-2m	I DCTGS-18-POK-2m	I DCUGS-18-POK-2m
	DCGS-18-PSK-ST4	I DCDGS-18-PSK-ST4	I DCTGS-18-PSK-ST4	I DCUGS-18-PSK-ST4
	DCGS-18-POK-ST4	I DCDGS-18-POK-ST4	I DCTGS-18-POK-ST4	I DCUGS-18-POK-ST4

	ja
	<i>yes</i>

M18

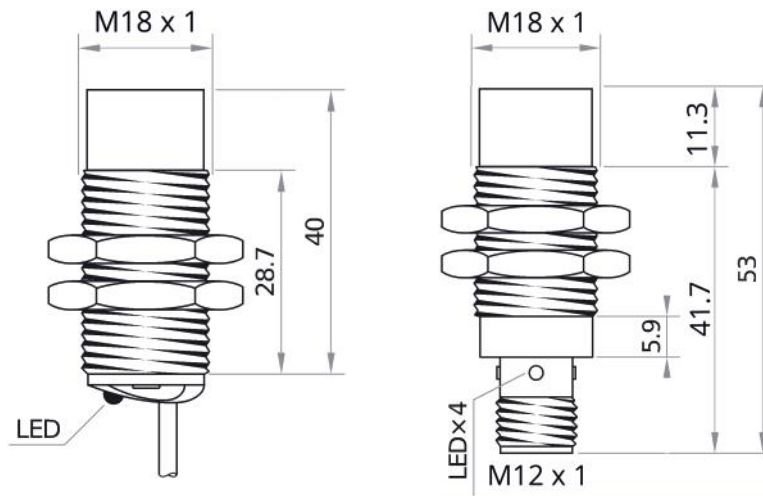


Schaltabstand <i>sensing range</i>	5 mm	8 mm	12 mm	15 mm
Eigenstromaufnahme <i>intern. power consumpt.</i>	< 8 mA			
Spannungsabfall <i>voltage drop</i>	< 1,5 V			
Schalthyserese <i>switching hysteresis</i>	< 15 %			
Reproduzierbarkeit <i>reproducibility</i>	< 1 %			
Temperaturdrift <i>temperature drift</i>	< 10 %			
Betriebsspannung <i>service-voltage</i>	10-30 VDC			
Umgebungstemperatur <i>ambient temperature</i>	- 10°C ... + 60°C			
Gehäusematerial <i>casing material</i>	Messing <i>Brass</i>			
Schutzart <i>protection class</i>	IP 67			
Schaltfrequenz <i>max. operating frequency</i>	2 kHz			
Einbauart <i>mounting</i>	bündig <i>flush</i>		quasi bündig <i>semi flush</i>	quasi bündig <i>semi flush</i>
max. Laststrom <i>max. load current</i>	200 mA / kurzschlußfest <i>short-circuit-proof</i>			

Ausgang* *output** - Anschluss *connection*

PNP-NO - 2m Kabel <i>cable</i>	DCGL-18-PSK-2m	DCDGL-18-PSK-2m	DCTGL-18-PSK-2m	DCUGL-18-PSK-2m
PNP-NC - 2m Kabel <i>cable</i>	DCGL-18-POK-2m	DCDGL-18-POK-2m	DCTGL-18-POK-2m	DCUGL-18-POK-2m
PNP-NO - Stecker M12 <i>connector M12</i>	DCGL-18-PSK-ST4	DCDGL-18-PSK-ST4	DCTGL-18-PSK-ST4	DCUGL-18-PSK-ST4
PNP-NC - Stecker M12 <i>connector M12</i>	DCGL-18-POK-ST4	DCDGL-18-POK-ST4	DCTGL-18-POK-ST4	DCUGL-18-POK-ST4
auch als NPN Variante verfügbar <i>also in NPN available</i>	ja <i>yes</i>			

M18

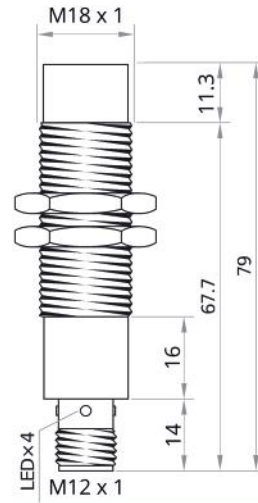
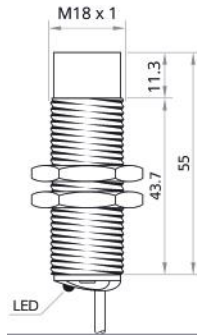


8 mm	16 mm	20 mm
< 8 mA		
< 1,5 V		
< 15 %		
< 1 %		
< 10 %		
10-30 VDC		
- 10°C ... + 60°C		
Messing <i>Brass</i>		
IP 67		
2 kHz		
bündig <i>flush</i>		
200 mA / kurzschlußfest <i>short-circuit-proof</i>		

DCGS-018-PSK-2m	DCDGS-018-PSK-2m	DCTGS-018-PSK-2m
DCGS-018-POK-2m	DCDGS-018-POK-2m	DCTGS-018-POK-2m
DCGS-018-PSK-ST4	DCDGS-018-PSK-ST4	DCTGS-018-PSK-ST4
DCGS-018-POK-ST4	DCDGS-018-POK-ST4	DCTGS-018-POK-ST4

ja
yes

M18

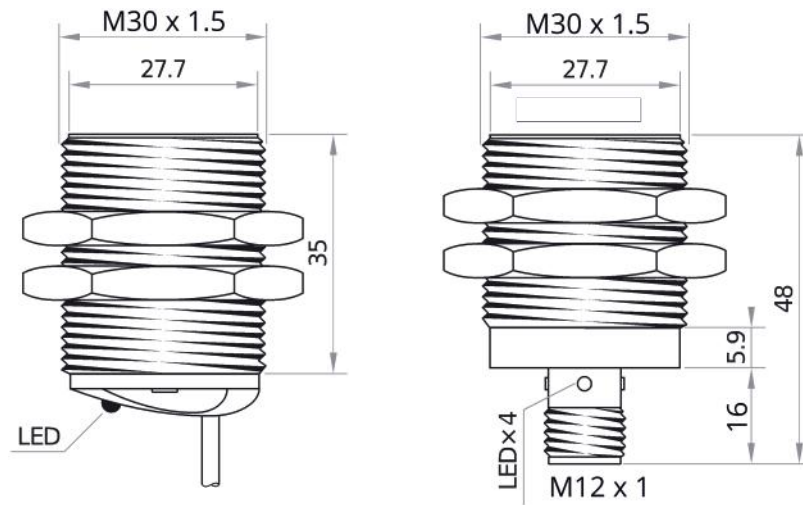


Schaltabstand <i>sensing range</i>	8 mm	16 mm	20 mm
Eigenstromaufnahme <i>intern. power consumpt.</i>	< 8 mA		
Spannungsabfall <i>voltage drop</i>	< 1,5 V		
Schalthyserese <i>switching hysteresis</i>	< 15 %		
Reproduzierbarkeit <i>reproducibility</i>	< 1 %		
Temperaturdrift <i>temperature drift</i>	< 10 %		
Betriebsspannung <i>service-voltage</i>	10-30 VDC		
Umgebungstemperatur <i>ambient temperature</i>	- 10°C ... + 60°C		
Gehäusematerial <i>casing material</i>	Messing <i>Brass</i>		
Schutzart <i>protection class</i>	IP 67		
Schaltfrequenz <i>max. operating frequency</i>	2 kHz		
Einbauart <i>mounting</i>	bündig <i>flush</i>		
max. Laststrom <i>max. load current</i>	200 mA / kurzschlußfest <i>short-circuit-proof</i>		

Ausgang* *output** - Anschluss *connection*

PNP-NO - 2m Kabel <i>cable</i>	DCGL-018-PSK-2m	DCDGL-018-PSK-2m	DCTGL-018-PSK-2m
PNP-NC - 2m Kabel <i>cable</i>	DCGL-018-POK-2m	DCDGL-018-POK-2m	DCTGL-018-POK-2m
PNP-NO - Stecker M12 <i>connector M12</i>	DCGL-018-PSK-ST4	DCDGL-018-PSK-ST4	DCTGL-018-PSK-ST4
PNP-NC - Stecker M12 <i>connector M12</i>	DCGL-018-POK-ST4	DCDGL-018-POK-ST4	DCTGL-018-POK-ST4
auch als NPN Variante verfügbar <i>also in NPN available</i>	ja <i>yes</i>		

M30

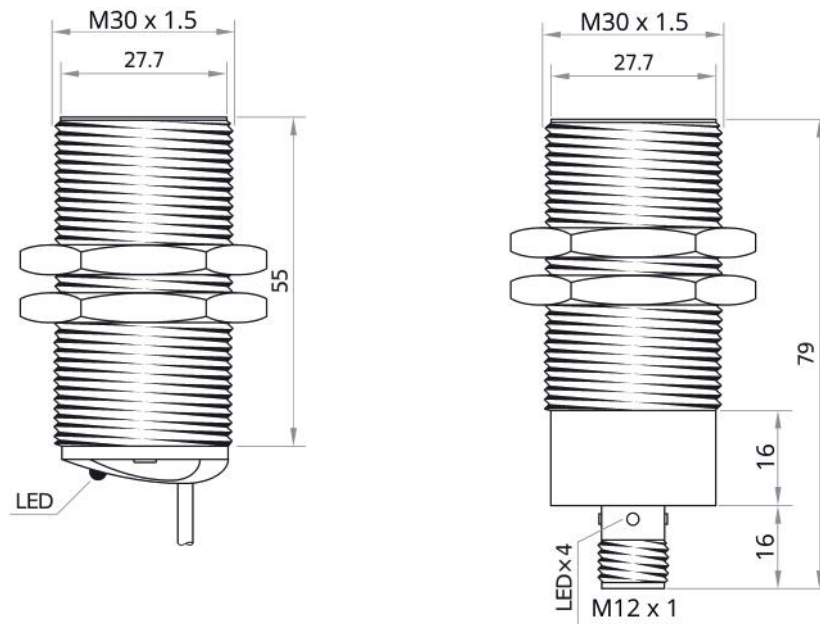


10 mm	16 mm	22 mm
< 8 mA		
< 1,5 V		
< 15 %		
< 1 %		
< 10 %		
10-30 VDC		
- 10°C ... + 60°C		
Messing <i>Brass</i>		
IP 67		
2 kHz		
bündig <i>flush</i>		quasi bündig <i>semi flush</i>
200 mA / kurzschlußfest <i>short-circuit-proof</i>		

DCGS-30-PSK-2m	DCDGS-30-PSK-2m	DCTGS-30-PSK-2m
DCGS-30-POK-2m	DCDGS-30-POK-2m	DCTGS-30-POK-2m
DCGS-30-PSK-ST4	DCDGS-30-PSK-ST4	DCTGS-30-PSK-ST4
DCGS-30-POK-ST4	DCDGS-30-POK-ST4	DCTGS-30-POK-ST4

ja
yes

M30

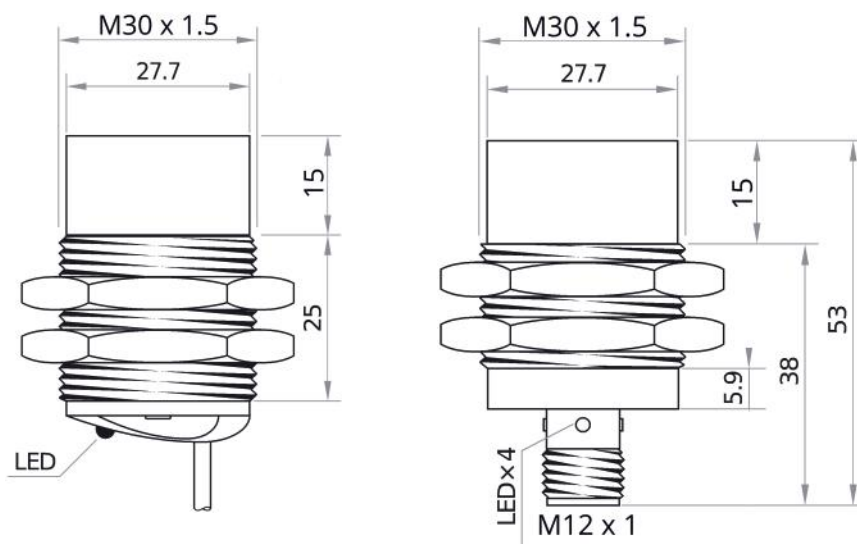


Schaltabstand <i>sensing range</i>	8 mm	16 mm	20 mm
Eigenstromaufnahme <i>intern. power consumpt.</i>	< 8 mA		
Spannungsabfall <i>voltage drop</i>	< 1,5 V		
Schalthysterese <i>switching hysteresis</i>	< 15 %		
Reproduzierbarkeit <i>reproducibility</i>	< 1 %		
Temperaturdrift <i>temperature drift</i>	< 10 %		
Betriebsspannung <i>service-voltage</i>	10-30 VDC		
Umgebungstemperatur <i>ambient temperature</i>	- 10°C ... + 60°C		
Gehäusematerial <i>casing material</i>	Messing <i>Brass</i>		
Schutzart <i>protection class</i>	IP 67		
Schaltfrequenz <i>max. operating frequency</i>	2 kHz		
Einbauart <i>mounting</i>	bündig <i>flush</i>		quasi bündig <i>semi flush</i>
max. Laststrom <i>max. load current</i>	200 mA / kurzschlußfest <i>short-circuit-proof</i>		

Ausgang* *output** - Anschluss *connection*

PNP-NO - 2m Kabel <i>cable</i>	DCGL-30-PSK-2m	DCDGL-30-PSK-2m	DCTGL-30-PSK-2m
PNP-NC - 2m Kabel <i>cable</i>	DCGL-30-POK-2m	DCDGL-30-POK-2m	DCTGL-30-POK-2m
PNP-NO - Stecker M12 <i>connector M12</i>	DCGL-30-PSK-ST4	DCDGL-30-PSK-ST4	DCTGL-30-PSK-ST4
PNP-NC - Stecker M12 <i>connector M12</i>	DCGL-30-POK-ST4	DCDGL-30-POK-ST4	DCTGL-30-POK-ST4
auch als NPN Variante verfügbar <i>also in NPN available</i>	ja <i>yes</i>		

M30

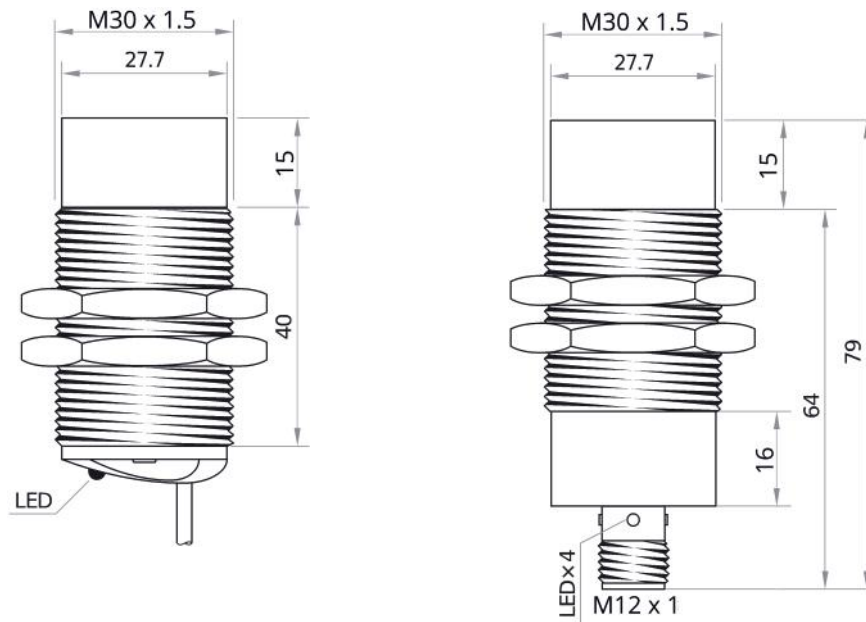


15 mm	25 mm	40 mm	50 mm
< 8 mA			
< 1,5 V			
< 15 %			
< 1 %			
< 10 %			
10-30 VDC			
- 10°C ... + 60°C			
Messing <i>Brass</i>			
IP 67			
2 kHz			
nicht bündig <i>non flush</i>			
200 mA / kurzschlußfest <i>short-circuit-proof</i>			

DCGS-030-PSK-2m	DCDGS-030-PSK-2m	DCTGS-030-PSK-2m	DCUGS-030-PSK-2m
DCGS-030-POK-2m	DCDGS-030-POK-2m	DCTGS-030-POK-2m	DCUGS-030-POK-2m
DCGS-030-PSK-ST4	DCDGS-030-PSK-ST4	DCTGS-030-PSK-ST4	DCUGS-030-PSK-ST4
DCGS-030-POK-ST4	DCDGS-030-POK-ST4	DCTGS-030-POK-ST4	DCUGS-030-POK-ST4

ja
yes

M30

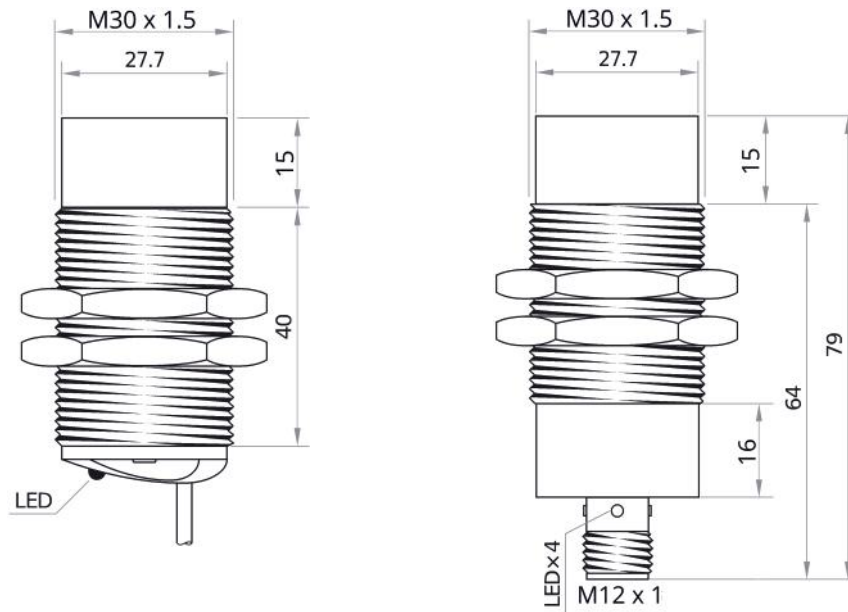


Schaltabstand <i>sensing range</i>	15 mm	25 mm	40 mm
Eigenstromaufnahme <i>intern. power consumpt.</i>	< 8 mA		
Spannungsabfall <i>voltage drop</i>	< 1,5 V		
Schalthysterese <i>switching hysteresis</i>	< 15 %		
Reproduzierbarkeit <i>reproducibility</i>	< 1 %		
Temperaturdrift <i>temperature drift</i>	< 10 %		
Betriebsspannung <i>service-voltage</i>	10-30 VDC		
Umgebungstemperatur <i>ambient temperature</i>	- 10°C ... + 60°C		
Gehäusematerial <i>casing material</i>	Messing <i>Brass</i>		
Schutzart <i>protection class</i>	IP 67		
Schaltfrequenz <i>max. operating frequency</i>	2 kHz		
Einbauart <i>mounting</i>	bündig <i>flush</i>		
max. Laststrom <i>max. load current</i>	200 mA / kurzschlußfest <i>short-circuit-proof</i>		

Ausgang* *output** - Anschluss *connection*

PNP-NO - 2m Kabel <i>cable</i>	DCGL-030-PSK-2m	DCDGL-030-PSK-2m	DCTGL-030-PSK-2m
PNP-NC - 2m Kabel <i>cable</i>	DCGL-030-POK-2m	DCDGL-030-POK-2m	DCTGL-030-POK-2m
PNP-NO - Stecker M12 <i>connector M12</i>	DCGL-030-PSK-ST4	DCDGL-030-PSK-ST4	DCTGL-030-PSK-ST4
PNP-NC - Stecker M12 <i>connector M12</i>	DCGL-030-POK-ST4	DCDGL-030-POK-ST4	DCTGL-030-POK-ST4
auch als NPN Variante verfügbar <i>also in NPN available</i>	ja <i>yes</i>		

M30



50 mm
 < 8 mA
 < 1,5 V
 < 15 %
 < 1 %
 < 10 %
 10-30 VDC
 - 10°C ... + 60°C
 Messing *Brass*
 IP 67
 2 kHz
 bündig *flush*
 200 mA / kurzschlußfest *short-circuit-proof*

DCUGL-030-PSK-2m
 DCUGL-030-POK-2m
 DCUGL-030-PSK-ST4
 DCUGL-030-POK-ST4

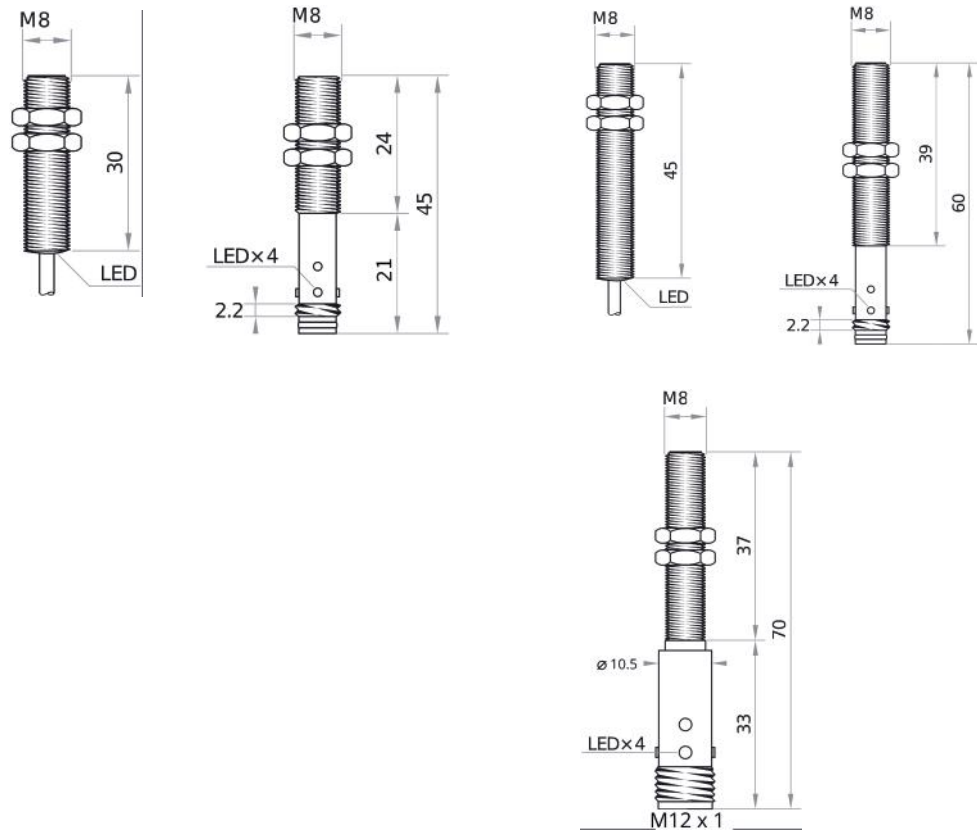
ja
yes

Induktive Näherungsschalter *inductive proximity switches*

zylindrisch Vollmetall V2A

cylindric full metal

M8



Schaltabstand <i>sensing range</i>	2 mm
Eigenstromaufnahme <i>intern. power consumpt.</i>	< 8 mA
Spannungsabfall <i>voltage drop</i>	< 1,5 V
Schalthysterese <i>switching hysteresis</i>	< 15 %
Reproduzierbarkeit <i>reproducibility</i>	< 1 %
Temperaturdrift <i>temperature drift</i>	< 10 %
Betriebsspannung <i>service-voltage</i>	10-30 VDC
Umgebungstemperatur <i>ambient temperature</i>	- 10°C ... + 60°C
Gehäusematerial <i>casing material</i>	Edelstahl <i>stainless steel</i>
Schutzart <i>protection class</i>	IP 67
Schaltfrequenz <i>max. operating frequency</i>	2 kHz
Einbauart <i>mounting</i>	bündig <i>flush</i>
max. Laststrom <i>max. load current</i>	200 mA / kurzschlußfest <i>short-circuit-proof</i>

Ausgang* *output** - Anschluss *connection*

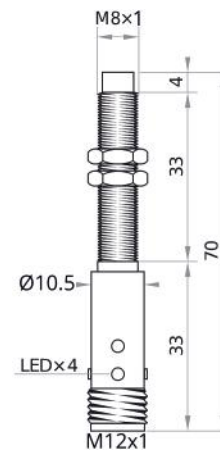
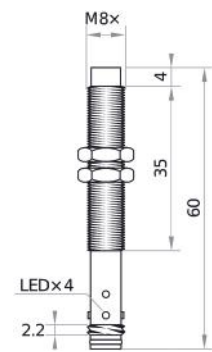
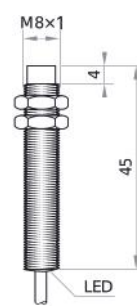
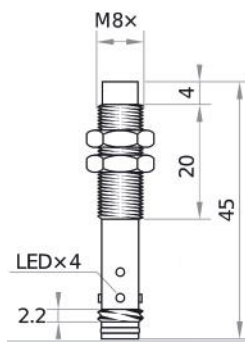
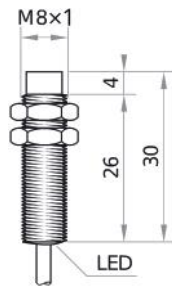
PNP-NO - 2m Kabel <i>cable</i>	DCDSVM-8-PSK-2m	I DCDLVM-8-PSK-2m
PNP-NC - 2m Kabel <i>cable</i>	DCDSVM-8-POK-2m	I DCDLVM-8-POK-2m
PNP-NO - Stecker M8 <i>connector M8</i>	DCDSVM-8-PSK-ST3	I DCDLVM-8-PSK-ST3
PNP-NC - Stecker M8 <i>connector M8</i>	DCDSVM-8-POK-ST3	I DCDLVM-8-POK-ST3
PNP-NO - Stecker M12 <i>connector M12</i>		I DCDLVM-8-PSK-ST4
PNP-NC - Stecker M12 <i>connector M12</i>		I DCDLVM-8-POK-ST4
auch als NPN Variante verfügbar <i>also in NPN available</i>	ja <i>yes</i>	

Induktive Näherungsschalter *inductive proximity switches*

zylindrisch Vollmetall V2A

cylindric full metal

M8



- 3,5 mm
- < 8 mA
- < 1,5 V
- < 15 %
- < 1 %
- < 10 %
- 10-30 VDC
- 10°C ... + 60°C
- Edelstahl *stainless steel*
- IP 67
- 2 kHz
- nicht bündig *non flush*
- 200 mA / kurzschlußfest *short-circuit-proof*

- | | |
|-------------------|-------------------|
| DCDSVM-08-PSK-2m | DCDLVM-08-PSK-2m |
| DCDSVM-08-POK-2m | DCDLVM-08-POK-2m |
| DCDSVM-08-PSK-ST3 | DCDLVM-08-PSK-ST3 |
| DCDSVM-08-POK-ST3 | DCDLVM-08-POK-ST3 |
| | DCDLVM-08-PSK-ST4 |
| | DCDLVM-08-POK-ST4 |

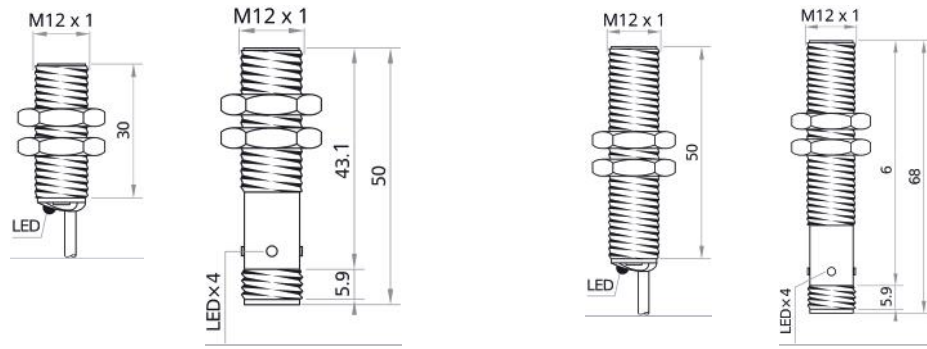
ja
yes

Induktive Näherungsschalter *inductive proximity switches*

zylindrisch Vollmetall V2A

cylindric full metal

M12



Schaltabstand <i>sensing range</i>	4 mm
Eigenstromaufnahme <i>intern. power consumpt.</i>	< 8 mA
Spannungsabfall <i>voltage drop</i>	< 1,5 V
Schalthysterese <i>switching hysteresis</i>	< 15 %
Reproduzierbarkeit <i>reproducibility</i>	< 1 %
Temperaturdrift <i>temperature drift</i>	< 10 %
Betriebsspannung <i>service-voltage</i>	10-30 VDC
Umgebungstemperatur <i>ambient temperature</i>	- 10°C ... + 60°C
Gehäusematerial <i>casing material</i>	Edelstahl <i>stainless steel</i>
Schutzart <i>protection class</i>	IP 67
Schaltfrequenz <i>max. operating frequency</i>	2 kHz
Einbauart <i>mounting</i>	bündig <i>flush</i>
max. Laststrom <i>max. load current</i>	200 mA / kurzschlußfest <i>short-circuit-proof</i>

Ausgang* *output** - Anschluss *connection*

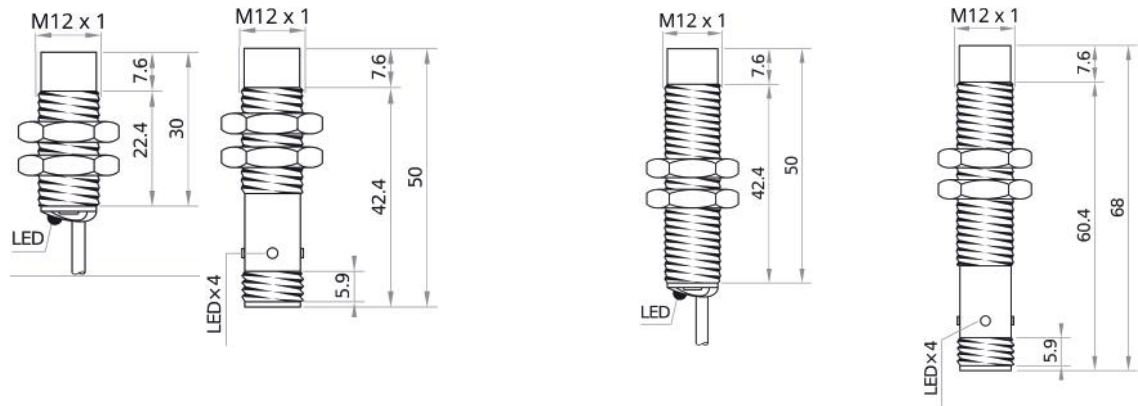
PNP-NO - 2m Kabel <i>cable</i>	DCDSVM-12-PSK-2m	I DCDLVM-12-PSK-2m
PNP-NC - 2m Kabel <i>cable</i>	DCDSVM-12-POK-2m	I DCDLVM-12-POK-2m
PNP-NO - Stecker M12 <i>connector M12</i>	DCDSVM-12-PSK-ST4	I DCDLVM-12-PSK-ST4
PNP-NC - Stecker M12 <i>connector M12</i>	DCDSVM-12-POK-ST4	I DCDLVM-12-POK-ST4
auch als NPN Variante verfügbar <i>also in NPN available</i>	ja <i>yes</i>	

Induktive Näherungsschalter *inductive proximity switches*

zylindrisch Vollmetall V2A

cylindric full metal

M12



6 mm
 < 8 mA
 < 1,5 V
 < 15 %
 < 1 %
 < 10 %
 10-30 VDC
 - 10°C ... + 60°C
 Edelstahl *stainless steel*
 IP 67
 2 kHz
 nicht bündig *non flush*
 200 mA / kurzschlußfest *short-circuit-proof*

DCDSVM-012-PSK-2m
 DCDSVM-012-POK-2m
 DCDSVM-012-PSK-ST4
 DCDSVM-012-POK-ST4

| DCDLVM-012-PSK-2m
 | DCDLVM-012-POK-2m
 | DCDLVM-012-PSK-ST4
 | DCDLVM-012-POK-ST4

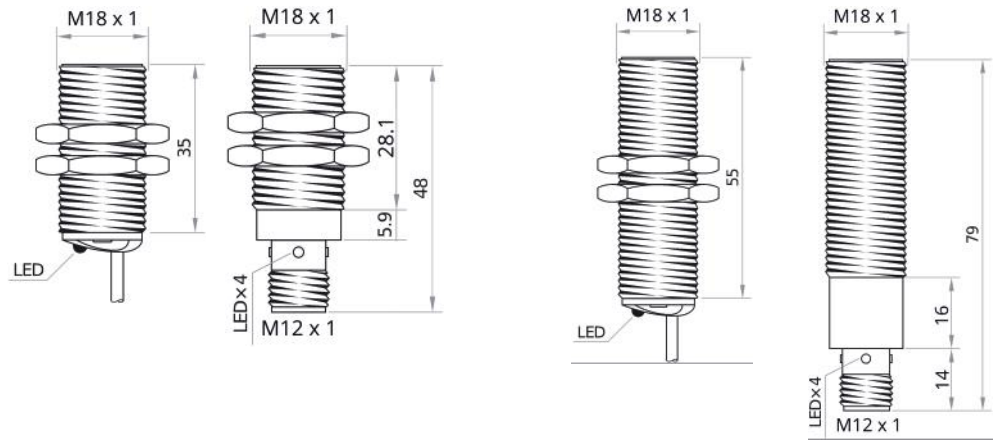
ja
yes

Induktive Näherungsschalter *inductive proximity switches*

zylindrisch Vollmetall V2A

cylindric full metal

M18



Schaltabstand <i>sensing range</i>	8 mm
Eigenstromaufnahme <i>intern. power consumpt.</i>	< 8 mA
Spannungsabfall <i>voltage drop</i>	< 1,5 V
Schalthysterese <i>switching hysteresis</i>	< 15 %
Reproduzierbarkeit <i>reproducibility</i>	< 1 %
Temperaturdrift <i>temperature drift</i>	< 10 %
Betriebsspannung <i>service-voltage</i>	10-30 VDC
Umgebungstemperatur <i>ambient temperature</i>	- 10°C ... + 60°C
Gehäusematerial <i>casing material</i>	Edelstahl <i>stainless steel</i>
Schutzart <i>protection class</i>	IP 67
Schaltfrequenz <i>max. operating frequency</i>	2 kHz
Einbauart <i>mounting</i>	bündig <i>flush</i>
max. Laststrom <i>max. load current</i>	200 mA / kurzschlußfest <i>short-circuit-proof</i>

Ausgang* *output** - Anschluss *connection*

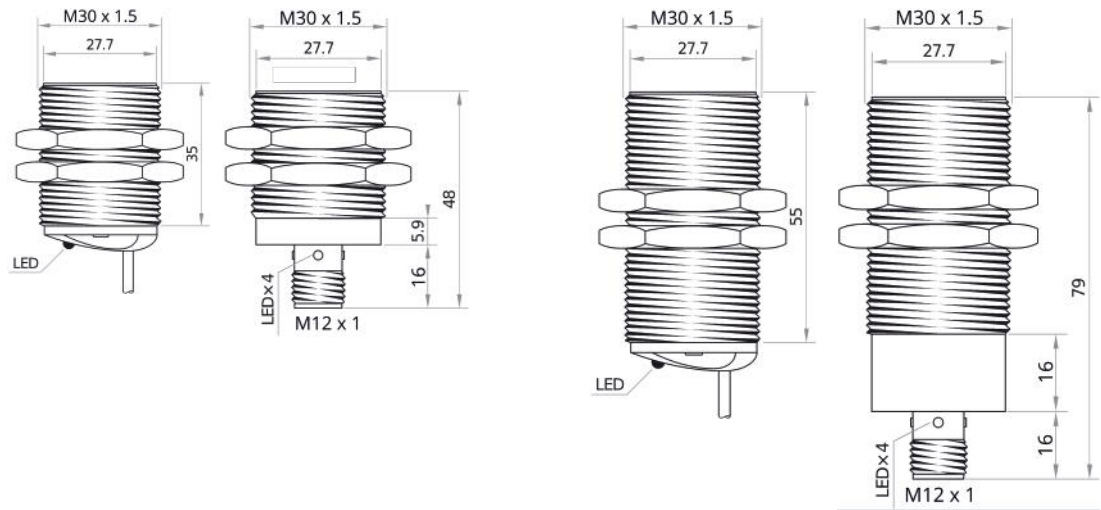
PNP-NO - 2m Kabel <i>cable</i>	DCDSVM-18-PSK-2m	I DCDLVM-18-PSK-2m
PNP-NC - 2m Kabel <i>cable</i>	DCDSVM-18-POK-2m	I DCDLVM-18-POK-2m
PNP-NO - Stecker M12 <i>connector M12</i>	DCDSVM-18-PSK-ST4	I DCDLVM-18-PSK-ST4
PNP-NC - Stecker M12 <i>connector M12</i>	DCDSVM-18-POK-ST4	I DCDLVM-18-POK-ST4
auch als NPN Variante verfügbar <i>also in NPN available</i>	ja <i>yes</i>	

Induktive Näherungsschalter *inductive proximity switches*

zylindrisch Vollmetall V2A

cylindric full metal

M30



10 mm
 < 8 mA
 < 1,5 V
 < 15 %
 < 1 %
 < 10 %
 10-30 VDC
 - 25°C ... + 70°C
 Edelstahl *stainless steel*
 IP 67
 1 kHz
 bündig *flush*
 200 mA / kurzschlußfest *short-circuit-proof*

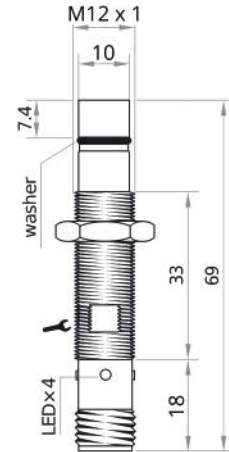
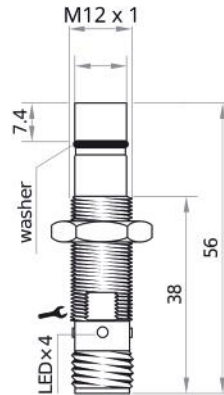
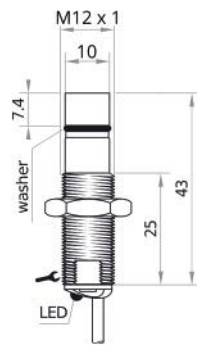
DCDSVM-30-PSK-2m	DCDLVM-30-PSK-2m
DCDSVM-30-POK-2m	DCDLVM-30-POK-2m
DCDSVM-30-PSK-ST4	DCDLVM-30-PSK-ST4
DCDSVM-30-POK-ST4	DCDLVM-30-POK-ST4
ja	
yes	

Induktive Näherungsschalter *inductive proximity switches*

zylindrisch DC druckfest

cylindric DC pressure resistant

M12



Schaltabstand <i>sensing range</i>	1,5 mm
Eigenstromaufnahme <i>intern. power consumpt.</i>	< 8 mA
Spannungsabfall <i>voltage drop</i>	< 1,5 V
Schalthysterese <i>switching hysteresis</i>	< 15 %
druckfest bis <i>pressure resisitance up to</i>	500 bar
Temperaturdrift <i>temperature drift</i>	< 10 %
Betriebsspannung <i>service-voltage</i>	10-30 VDC
Umgebungstemperatur <i>ambient temperature</i>	- 25°C ... + 70°C
Gehäusematerial <i>casing material</i>	Edelstahl <i>stainless steel</i>
Schutzart <i>protection class</i>	IP 69k, IP 67
Schaltfrequenz <i>max. operating frequency</i>	1 kHz
Einbauart <i>mounting</i>	bündig <i>flush</i>
max. Laststrom <i>max. load current</i>	200 mA / kurzschlußfest <i>short-circuit-proof</i>

Ausgang* *output** - Anschluss *connection*

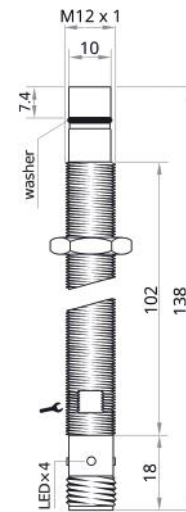
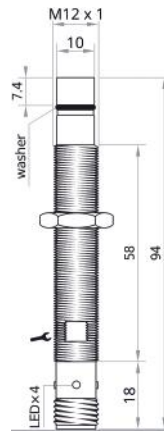
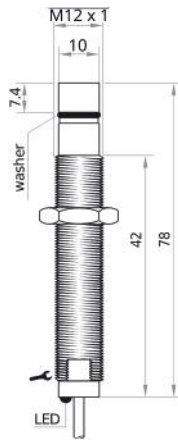
PNP-NO - 2m Kabel <i>cable</i>	DCDFM-12-PSK-2m	
PNP-NC - 2m Kabel <i>cable</i>	DCDFM-12-POK-2m	
PNP-NO - Stecker M12 <i>connector M12</i>	DCDFM-12-PSK-ST4	DCDFS-12-PSK-ST4
PNP-NC - Stecker M12 <i>connector M12</i>	DCDFM-12-POK-ST4	DCDFS-12-POK-ST4
auch als NPN Variante verfügbar <i>also in NPN available</i>	ja <i>yes</i>	

Induktive Näherungsschalter *inductive proximity switches*

zylindrisch DC druckfest

cylindric DC pressure resistant

M12



1,5 mm
 < 8 mA
 < 1,5 V
 < 15 %
 500 bar
 < 10 %
 10-30 VDC
 - 25°C ... + 70°C
 Edelstahl *stainless steel*
 IP 69k, IP 67
 1 kHz
 bündig *flush*
 200 mA / kurzschlußfest *short-circuit-proof*

DCDF-12-PSK-2m
 DCDF-12-POK-2m

| DCDF-12-PSK-ST4
 | DCDF-12-POK-ST4

| DCDFL-12-PSK-ST4
 | DCDFL-12-POK-ST4

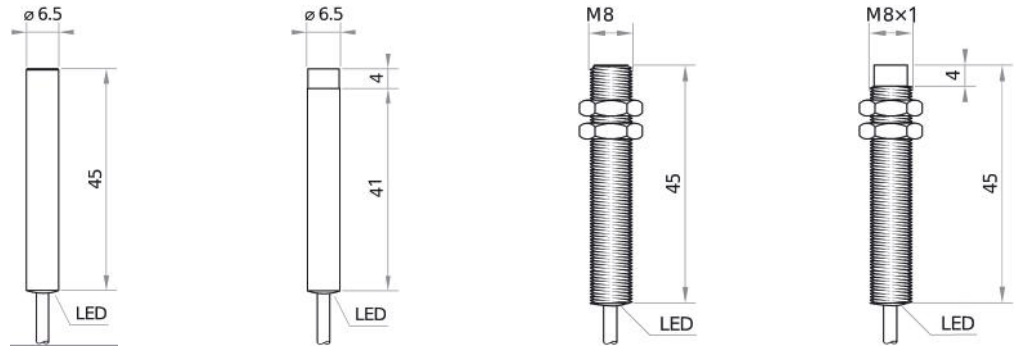
ja
yes

Induktive Näherungsschalter *inductive proximity switches*

zylindrisch DC temperaturfest

cylindric DC temperature resistant

Ø 6,5mm / M8



Schaltabstand <i>sensing range</i>	2 mm	4 mm	2 mm	4 mm
Eigenstromaufnahme <i>intern. power consumpt.</i>	< 8 mA			
Spannungsabfall <i>voltage drop</i>	< 1,5 V			
Schalthyserese <i>switching hysteresis</i>	< 15 %			
Reproduzierbarkeit <i>reproducibility</i>	< 1%			
Temperaturdrift <i>temperature drift</i>	< 10 %			
Betriebsspannung <i>service-voltage</i>	10-30 VDC			
Umgebungstemperatur <i>ambient temperature</i>	- 25°C ... + 120°C			
Gehäusematerial <i>casing material</i>	Edelstahl <i>stainless steel</i>			
Schutzart <i>protection class</i>	IP 67			
Schaltfrequenz <i>max. operating frequency</i>	800 Hz			
Einbauart <i>mounting</i>	bündig <i>flush</i>	nicht bündig <i>non flush</i>	bündig <i>flush</i>	nicht bündig <i>non flush</i>
max. Laststrom <i>max. load current</i>	200 mA / kurzschlußfest <i>short-circuit-proof</i>			

Ausgang* *output** - Anschluss *connection*

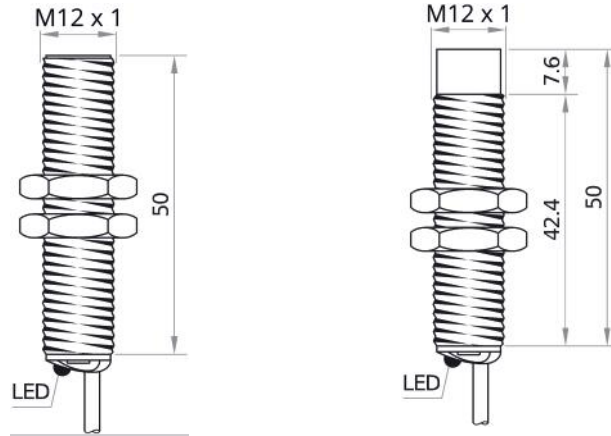
PNP-NO - 2m Silikon-Kabel <i>silicone-cable</i>	DCHT-65-PSK-2m/120	DCDHT-065-PSK-2m/120	DCHT-8-PSK-2m/120	DCDHT-08-PSK-2m/120
PNP-NC - 2m Silikon-Kabel <i>silicone-cable</i>	DCHT-65-POK-2m/120	DCDHT-065-POK-2m/120	DCHT-8-POK-2m/120	DCDHT-08-POK-2m/120
PNP-NO - 2m Teflon-Kabel <i>PTFE-cable</i>	DCHT-65-PSK-2m/120T	DCDHT-065-PSK-2m/120T	DCHT-8-PSK-2m/120T	DCDHT-08-PSK-2m/120T
PNP-NC - 2m Teflon-Kabel <i>PTFE-cable</i>	DCHT-65-POK-2m/120T	DCDHT-065-POK-2m/120T	DCHT-8-POK-2m/120T	DCDHT-08-POK-2m/120T
PNP-NO - 2m Silikon-Kabel <i>silicone-cable</i>				
PNP-NC - 2m Silikon-Kabel <i>silicone-cable</i>				
PNP-NO - 2m Teflon-Kabel <i>PTFE-cable</i>				
PNP-NC - 2m Teflon-Kabel <i>PTFE-cable</i>				
auch als NPN Variante verfügbar <i>also in NPN available</i>	ja <i>yes</i>			

Induktive Näherungsschalter *inductive proximity switches*

zylindrisch DC temperaturfest

cylindric DC temperature resistant

M12



2 mm	4 mm	4 mm	8 mm
< 8 mA			
< 1,5 V			
< 15 %			
< 1%			
< 10 %			
10-30 VDC			
- 25°C ... + 150°C			
Edelstahl <i>stainless steel</i>			
IP 67			
800 Hz			
bündig <i>flush</i>		nicht bündig <i>non flush</i>	
200 mA / kurzschlußfest <i>short-circuit-proof</i>			

DCHT-12-PSK-2m/120	DCDHT-12-PSK-2m/120	DCHT-012-PSK-2m/120	DCDHT-012-PSK-2m/120
DCHT-12-POK-2m/120	DCDHT-12-POK-2m/120	DCHT-012-POK-2m/120	DCDHT-012-POK-2m/120
DCHT-12-PSK-2m/120T	DCDHT-12-PSK-2m/120T	DCHT-012-PSK-2m/120T	DCDHT-012-PSK-2m/120T
DCHT-12-POK-2m/120T	DCDHT-12-POK-2m/120T	DCHT-012-POK-2m/120T	DCDHT-012-POK-2m/120T
DCHT-12-PSK-2m/150	DCDHT-12-PSK-2m/150	DCHT-012-PSK-2m/150	DCDHT-012-PSK-2m/150
DCHT-12-POK-2m/150	DCDHT-12-POK-2m/150	DCHT-012-POK-2m/150	DCDHT-012-POK-2m/150
DCHT-12-PSK-2m/150T	DCDHT-12-PSK-2m/150T	DCHT-012-PSK-2m/150T	DCDHT-012-PSK-2m/150T
DCHT-12-POK-2m/150T	DCDHT-12-POK-2m/150T	DCHT-012-POK-2m/150T	DCDHT-012-POK-2m/150T

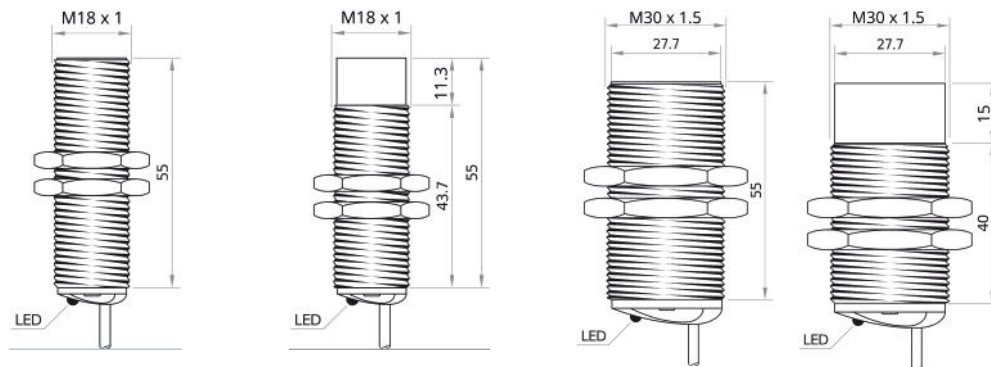
ja
yes

Induktive Näherungsschalter *inductive proximity switches*

zylindrisch DC temperaturfest

cylindric DC temperature resistant

M 18 / M 30



Schaltabstand <i>sensing range</i>	5 mm	8 mm	10 mm	15 mm
Eigenstromaufnahme <i>intern. power consumpt.</i>	< 8 mA			
Spannungsabfall <i>voltage drop</i>	< 1,5 V			
Schalthysterese <i>switching hysteresis</i>	< 15 %			
Reproduzierbarkeit <i>reproducibility</i>	< 1%			
Temperaturdrift <i>temperature drift</i>	< 10 %			
Betriebsspannung <i>service-voltage</i>	10-30 VDC			
Umgebungstemperatur <i>ambient temperature</i>	- 25°C ... + 180°C			
Gehäusematerial <i>casing material</i>	Edelstahl <i>stainless steel</i>			
Schutzart <i>protection class</i>	IP 67			
Schaltfrequenz <i>max. operating frequency</i>	800 Hz			
Einbauart <i>mounting</i>	bündig <i>flush</i>	nicht bündig <i>non flush</i>	bündig <i>flush</i>	nicht bündig <i>non flush</i>
max. Laststrom <i>max. load current</i>	200 mA / kurzschlußfest <i>short-circuit-proof</i>			

Ausgang* *output** - Anschluss *connection*

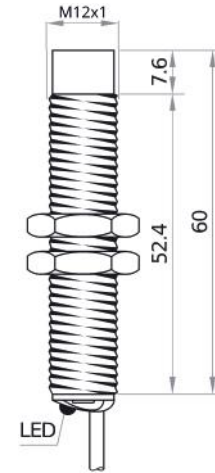
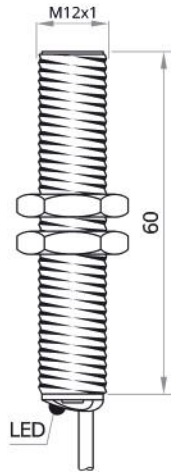
PNP-NO - 2m Silikon-Kabel <i>silicone-cable</i>	DCHT-18-PSK-2m/120	DCHT-018-PSK-2m/120	DCHT-30-PSK-2m/120	DCHT-030-PSK-2m/120
PNP-NC - 2m Silikon-Kabel <i>silicone-cable</i>	DCHT-18-POK-2m/120	DCHT-018-POK-2m/120	DCHT-30-POK-2m/120	DCHT-030-POK-2m/120
PNP-NO - 2m Teflon-Kabel <i>PTFE-cable</i>	DCHT-18-PSK-2m/120T	DCHT-018-PSK-2m/120T	DCHT-30-PSK-2m/120T	DCHT-030-PSK-2m/120T
PNP-NC - 2m Teflon-Kabel <i>PTFE-cable</i>	DCHT-18-POK-2m/120T	DCHT-018-POK-2m/120T	DCHT-30-POK-2m/120T	DCHT-030-POK-2m/120T
PNP-NO - 2m Silikon-Kabel <i>silicone-cable</i>	DCHT-18-PSK-2m/150	DCHT-018-PSK-2m/150	DCHT-30-PSK-2m/150	DCHT-030-PSK-2m/150
PNP-NC - 2m Silikon-Kabel <i>silicone-cable</i>	DCHT-18-POK-2m/150	DCHT-018-POK-2m/150	DCHT-30-POK-2m/150	DCHT-030-POK-2m/150
PNP-NO - 2m Teflon-Kabel <i>PTFE-cable</i>	DCHT-18-PSK-2m/150T	DCHT-018-PSK-2m/150T	DCHT-30-PSK-2m/150T	DCHT-030-PSK-2m/150T
PNP-NC - 2m Teflon-Kabel <i>PTFE-cable</i>	DCHT-18-POK-2m/150T	DCHT-018-POK-2m/150T	DCHT-30-POK-2m/150T	DCHT-030-POK-2m/150T
PNP-NO - 2m Silikon-Kabel <i>silicone-cable</i>	DCHT-18-PSK-2m/180	DCHT-018-PSK-2m/180	DCHT-30-PSK-2m/180	DCHT-030-PSK-2m/180
PNP-NC - 2m Silikon-Kabel <i>silicone-cable</i>	DCHT-18-POK-2m/180	DCHT-018-POK-2m/180	DCHT-30-POK-2m/180	DCHT-030-POK-2m/180
PNP-NO - 2m Teflon-Kabel <i>PTFE-cable</i>	DCHT-18-PSK-2m/180T	DCHT-018-PSK-2m/180T	DCHT-30-PSK-2m/180T	DCHT-030-PSK-2m/180T
PNP-NC - 2m Teflon-Kabel <i>PTFE-cable</i>	DCHT-18-POK-2m/180T	DCHT-018-POK-2m/180T	DCHT-30-POK-2m/180T	DCHT-030-POK-2m/180T
auch als NPN Variante verfügbar <i>also in NPN available</i>	ja <i>yes</i>			

Induktive Näherungsschalter *inductive proximity switches*

zylindrisch AC 2-Draht

cylindric AC 2-wire

M 12



Schaltabstand <i>sensing range</i>	4 mm	8 mm
Eigenstromaufnahme <i>intern. power consumpt.</i>	< 3 mA	
Spannungsabfall <i>voltage drop</i>	< 8 V	
Schalthysterese <i>switching hysteresis</i>	< 15 %	
Reproduzierbarkeit <i>reproducibility</i>	< 1 %	
Temperaturdrift <i>temperature drift</i>	< 10 %	
Betriebsspannung <i>service-voltage</i>	20-250 VAC	
Umgebungstemperatur <i>ambient temperature</i>	- 10°C ... + 75°C	
Gehäusematerial <i>casing material</i>	Messing <i>Brass</i>	
Schutzart <i>protection class</i>	IP 67	
Schaltfrequenz <i>max. operating frequency</i>	25 Hz	
Einbauart <i>mounting</i>	bündig <i>flush</i>	nicht bündig <i>non flush</i>
max. Laststrom <i>max. load current</i>	400 mA	

Ausgang* *output** - Anschluss *connection*

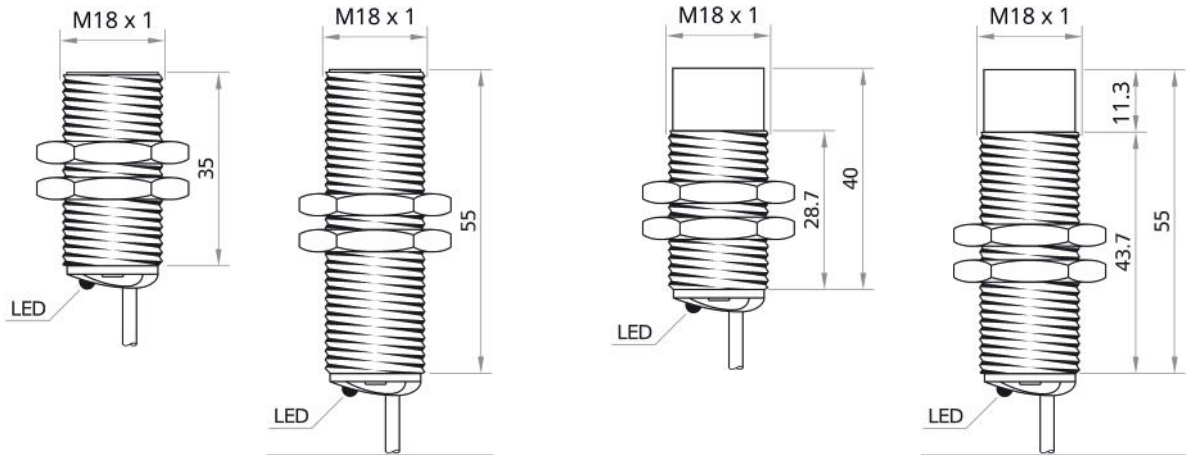
NO - 2m Kabel <i>cable</i>	ACD-12-S-2m	ACD-012-S-2m
NC - 2m Kabel <i>cable</i>	ACD-12-O-2m	ACD-012-O-2m

Induktive Näherungsschalter *inductive proximity switches*

zylindrisch AC 2-Draht

cylindric AC 2-wire

M18



8 mm	16 mm
< 3 mA	
< 8 V	
< 15 %	
< 1 %	
< 10 %	
20-250 VAC	
- 10°C ... + 75°C	
Messing <i>Brass</i>	
IP 67	
25 Hz	
bündig <i>flush</i>	nicht bündig <i>non flush</i>
400 mA	

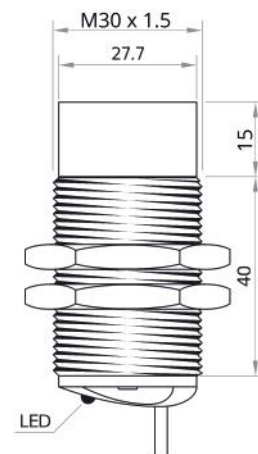
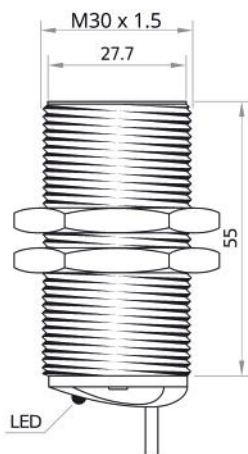
ACDS-18-S-2m	ACDL-18-S-2m	ACDS-018-S-2m	ACDL-018-S-2m
ACDS-18-O-2m	ACDL-18-O-2m	ACDS-018-O-2m	ACDL-018-O-2m

Induktive Näherungsschalter *inductive proximity switches*

zylindrisch AC 2-Draht

cylindric AC 2-wire

M 30



Schaltabstand <i>sensing range</i>	16 mm	25 mm
Eigenstromaufnahme <i>intern. power consumpt.</i>	< 3 mA	
Spannungsabfall <i>voltage drop</i>	< 8 V	
Schalthysterese <i>switching hysteresis</i>	< 15 %	
Reproduzierbarkeit <i>reproducibility</i>	< 1 %	
Temperaturdrift <i>temperature drift</i>	< 10 %	
Betriebsspannung <i>service-voltage</i>	20-250 VAC	
Umgebungstemperatur <i>ambient temperature</i>	- 10°C ... + 75°C	
Gehäusematerial <i>casing material</i>	Messing <i>Brass</i>	
Schutzart <i>protection class</i>	IP 67	
Schaltfrequenz <i>max. operating frequency</i>	25 Hz	
Einbauart <i>mounting</i>	bündig <i>flush</i>	nicht bündig <i>non flush</i>
max. Laststrom <i>max. load current</i>	400 mA	

Ausgang* *output** - Anschluss *connection*

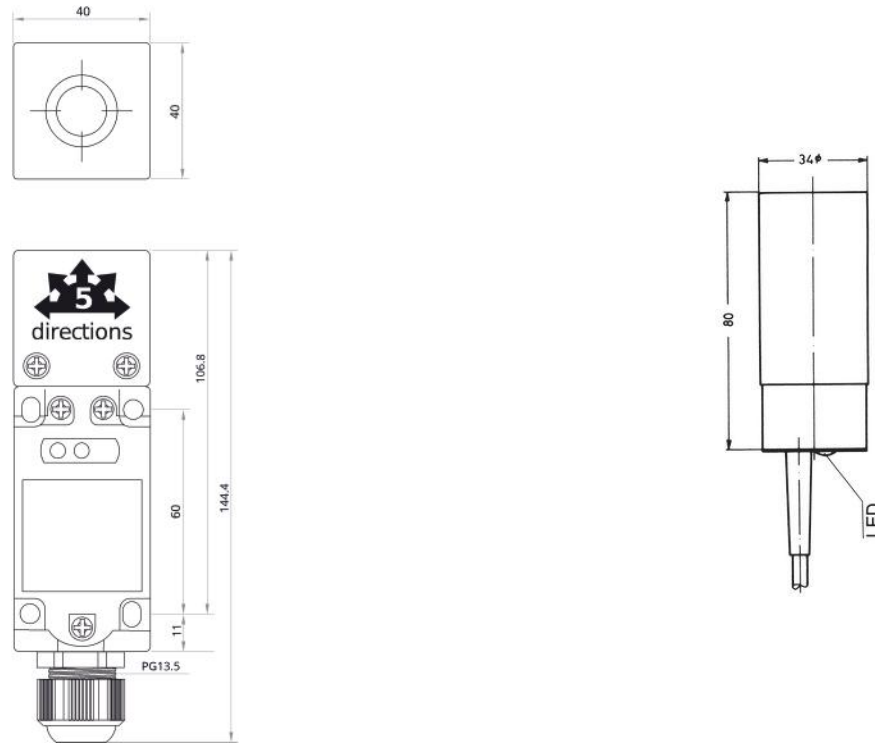
NO - 2m Kabel <i>cable</i>	ACDL-30-S-2m	ACDL-030-S-2m
NC - 2m Kabel <i>cable</i>	ACDL-30-O-2m	ACDL-030-O-2m

Induktive Näherungsschalter *inductive proximity switches*

AC 2-Draht

AC 2-wire

40x40 mm / Ø 34mm



20 mm	30 mm	20 mm
< 3 mA		
< 8 V		
< 15 %		
< 1 %		
< 10 %		
20-250 VAC		
- 10°C ... + 75°C		
PBT		
IP 67		
25 Hz		
bündig <i>flush</i>	nicht bündig <i>non flush</i>	nicht bündig <i>non flush</i>
400 mA		

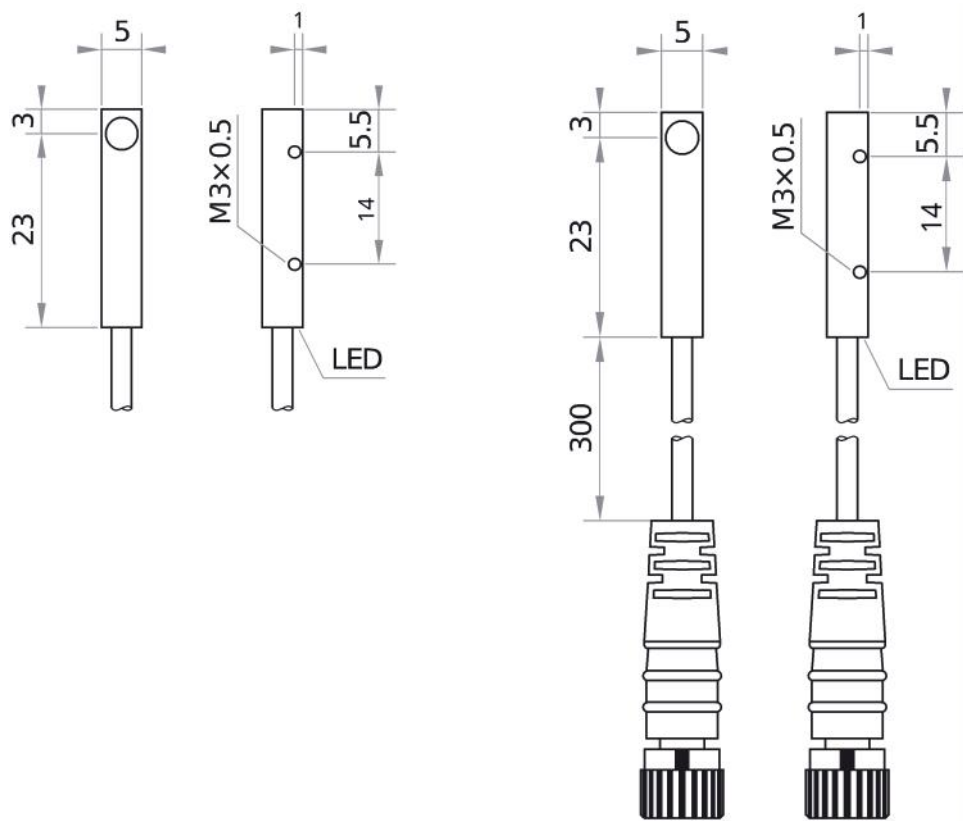
ACGQ-40-S-KLR	ACGQ-040-S-KLR	AC-034-S-2m
ACGQ-40-O-KLR	ACGQ-040-O-KLR	AC-034-O-2m

Induktive Näherungsschalter *inductive proximity switches*

rechteckig DC

cubeoid DC

5x5 mm



Schaltabstand <i>sensing range</i>	0,8 mm	1,5 mm
Eigenstromaufnahme <i>intern. power consumpt.</i>	< 8 mA	
Spannungsabfall <i>voltage drop</i>	< 1,5 V	
Schalthysterese <i>switching hysteresis</i>	< 15 %	
Reproduzierbarkeit <i>reproducibility</i>	< 1 %	
Temperaturdrift <i>temperature drift</i>	< 10 %	
Betriebsspannung <i>service-voltage</i>	10-30 VDC	
Umgebungstemperatur <i>ambient temperature</i>	- 10°C ... + 60°C	
Gehäusematerial <i>casing material</i>	Messing <i>Brass</i>	
Schutzart <i>protection class</i>	IP 67	
Schaltfrequenz <i>max. operating frequency</i>	2 kHz	
Einbauart <i>mounting</i>	bündig <i>flush</i>	
max. Laststrom <i>max. load current</i>	200 mA / kurzschlußfest <i>short-circuit-proof</i>	

Ausgang* *output** - Anschluss *connection*

PNP-NO - 2m Kabel <i>cable</i>	DCGQ-5-PSK-2m	DCDGQ-5-PSK-2m
PNP-NC - 2m Kabel <i>cable</i>	DCGQ-5-POK-2m	DCDGQ-5-POK-2m
PNP-NO - Kabelstecker M8 <i>pigtail M8</i>	DCGQ-5-PSK-KST3	DCDGQ-5-PSK-KST3
PNP-NC - Kabelstecker M8 <i>pigtail M8</i>	DCGQ-5-POK-KST3	DCDGQ-5-POK-KST3
PNP-NO - Stecker M8 <i>plug M8</i>		
PNP-NC - Stecker M8 <i>plug M8</i>		

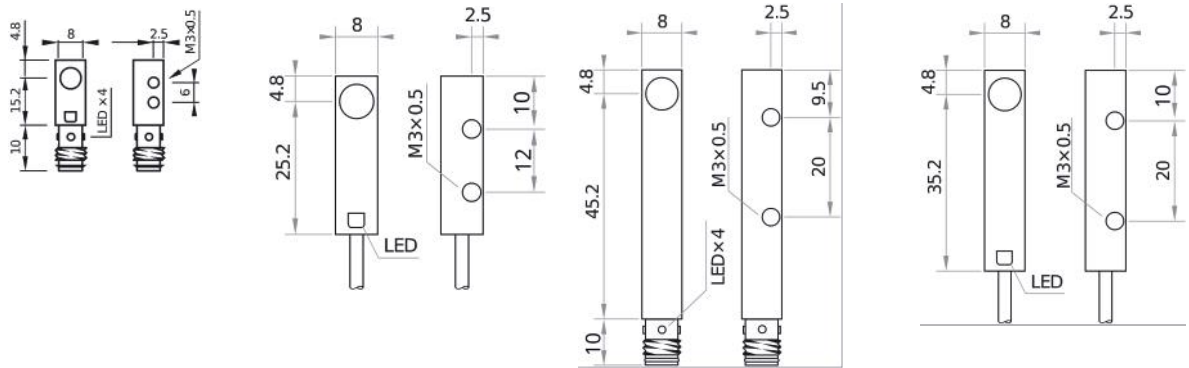
auch als NPN Variante verfügbar <i>also in NPN available</i>	ja <i>yes</i>
---	------------------

Induktive Näherungsschalter *inductive proximity switches*

rechteckig DC

cuboid DC

8x8 mm



2 mm	3 mm	2 mm	3 mm
< 8 mA			
< 1,5 V			
< 15 %			
< 1 %			
< 10 %			
10-30 VDC			
- 10°C ... + 60°C			
Messing <i>brass</i>			
IP 67			
2 kHz			
bündig <i>flush</i>	quasi bündig <i>semi flush</i>	bündig <i>flush</i>	quasi bündig <i>semi flush</i>
200 mA / kurzschlußfest <i>short-circuit-proof</i>			

DCDGQS-8-PSK-2m	DCTGQS-8-PSK-2m	DCDGQL-8-PSK-2m	DCTGQL-8-PSK-2m
DCDGQS-8-POK-2m	DCTGQS-8-POK-2m	DCDGQL-8-POK-2m	DCTGQL-8-POK-2m

DCDGQS-8-PSK-ST3	DCTGQS-8-PSK-ST3	DCDGQL-8-PSK-ST3	DCTGQL-8-PSK-ST3
DCDGQS-8-POK-ST3	DCTGQS-8-POK-ST3	DCDGQL-8-POK-ST3	DCTGQL-8-POK-ST3

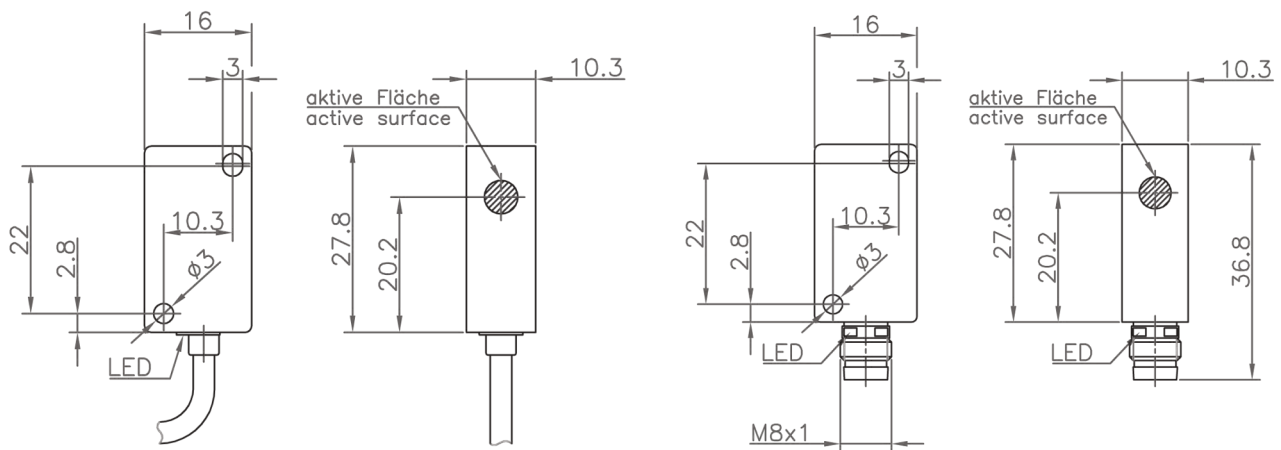
ja
yes

Induktive Näherungsschalter *inductive proximity switches*

rechteckig DC

cube DC

28 x 10 x 16 mm



Schaltabstand <i>sensing range</i>	2 mm
Eigenstromaufnahme <i>intern. power consumpt.</i>	< 8 mA
Spannungsabfall <i>voltage drop</i>	< 1,5 V
Schalthysterese <i>switching hysteresis</i>	< 15 %
Reproduzierbarkeit <i>reproducibility</i>	< 1 %
Temperaturdrift <i>temperature drift</i>	< 10 %
Betriebsspannung <i>service-voltage</i>	10-30 VDC
Umgebungstemperatur <i>ambient temperature</i>	- 10°C ... + 60°C
Gehäusematerial <i>casing material</i>	Kunststoff <i>plastic</i>
Schutzart <i>protection class</i>	IP 67
Schaltfrequenz <i>max. operating frequency</i>	800 Hz
Einbauart <i>mounting</i>	bündig <i>flush</i>
max. Laststrom <i>max. load current</i>	200 mA / kurzschlußfest <i>short-circuit-proof</i>

Ausgang* *output** - Anschluss *connection*

PNP-NO - 2m Kabel <i>cable</i>	DCQ-10-PSK-2m
PNP-NC - 2m Kabel <i>cable</i>	DCQ-10-POK-2m
PNP-NO - Stecker M8 <i>connector M8</i>	DCQ-10-PSK-ST3
PNP-NC - Stecker M8 <i>connector M8</i>	DCQ-10-POK-ST3

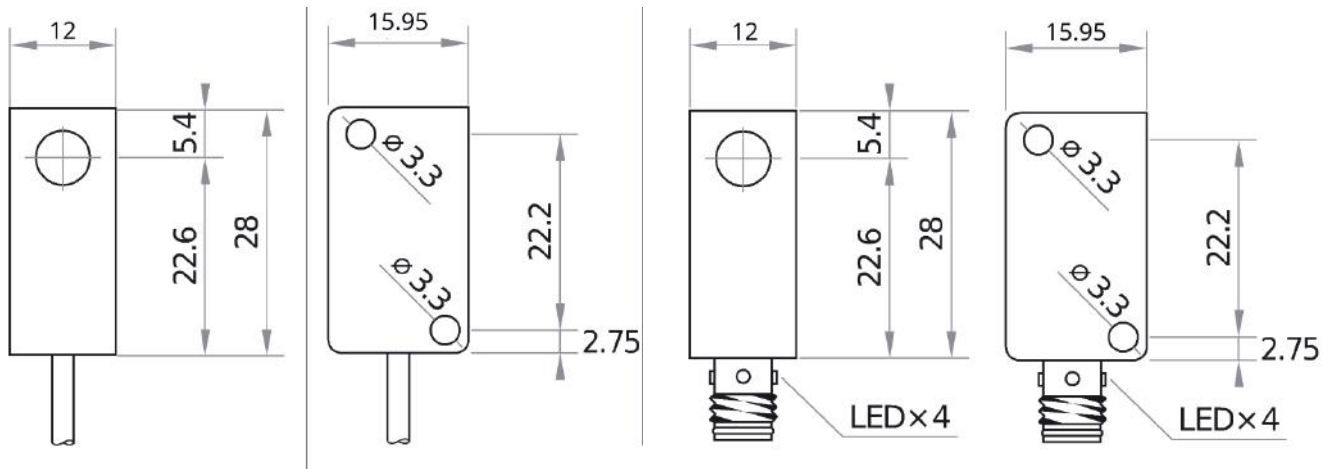
auch als NPN Variante verfügbar <i>also in NPN available</i>	ja <i>yes</i>
---	------------------

Induktive Näherungsschalter *inductive proximity switches*

rechteckig DC

cuboid DC

28 x 12 x 16 mm



	1 mm	2 mm	3 mm	2 mm	4 mm	6 mm
	< 8 mA					
	< 1,5 V					
	< 15 %					
	< 1 %					
	< 10 %					
	10-30 VDC					
	- 10°C ... + 60°C					
	PBT					
	IP 67					
	2 kHz					
	bündig <i>flush</i>		quasi bündig <i>semi flush</i>		nicht bündig <i>non flush</i>	
	200 mA / kurzschlußfest <i>short-circuit-proof</i>					

	DCQ-12-PSK-2m	DCDQ-12-PSK-2m	DCTQ-12-PSK-2m	DCQ-012-PSK-2m	DCDQ-012-PSK-2m	DCTQ-012-PSK-2m
	DCQ-12-POK-2m	DCDQ-12-POK-2m	DCTQ-12-POK-2m	DCQ-012-POK-2m	DCDQ-012-POK-2m	DCTQ-012-POK-2m
	DCQ-12-PSK-ST3	DCDQ-12-PSK-ST3	DCTQ-12-PSK-ST3	DCQ-012-PSK-ST3	DCDQ-012-PSK-ST3	DCTQ-012-PSK-ST3
	DCQ-12-POK-ST3	DCDQ-12-POK-ST3	DCTQ-12-POK-ST3	DCQ-012-POK-ST3	DCDQ-012-POK-ST3	DCTQ-012-POK-ST3

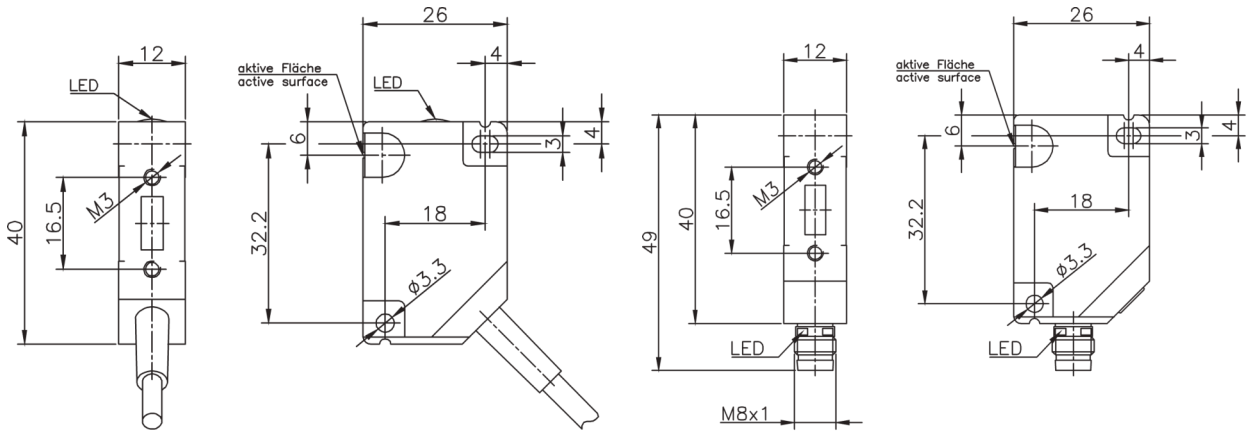
	ja
	yes

Induktive Näherungsschalter *inductive proximity switches*

rechteckig DC

cuboid DC

12 x 26 x 40 mm



Schaltabstand <i>sensing range</i>	2 mm	4mm
Eigenstromaufnahme <i>intern. power consumpt.</i>	< 8 mA	
Spannungsabfall <i>voltage drop</i>	< 1,5 V	
Schalthysterese <i>switching hysteresis</i>	< 15 %	
Reproduzierbarkeit <i>reproducibility</i>	< 1 %	
Temperaturdrift <i>temperature drift</i>	< 10 %	
Betriebsspannung <i>service-voltage</i>	10-30 VDC	
Umgebungstemperatur <i>ambient temperature</i>	- 10°C ... + 60°C	
Gehäusematerial <i>casing material</i>	Kunststoff <i>plastic</i>	
Schutzart <i>protection class</i>	IP 67	
Schaltfrequenz <i>max. operating frequency</i>	800 Hz	400 Hz
Einbauart <i>mounting</i>	bündig <i>flush</i>	nicht bündig <i>non flush</i>
max. Laststrom <i>max. load current</i>	200 mA / kurzschlußfest <i>short-circuit-proof</i>	

Ausgang* *output** - Anschluss *connection*

PNP-NO - 2m Kabel <i>cable</i>	DCQ-30-PSK-2m	DCQ-030-PSK-2m
PNP-NC - 2m Kabel <i>cable</i>	DCQ-30-P0K-2m	DCQ-030-P0K-2m
PNP-NO - Stecker M8 <i>plug M8</i>	DCQ-30-PSK-ST3	DCQ-030-PSK-ST3
PNP-NC - Stecker M8 <i>plug M8</i>	DCQ-30-P0K-ST3	DCQ-030-P0K-ST3
PNP-NO/NC - Klemme <i>clamp terminal</i>		

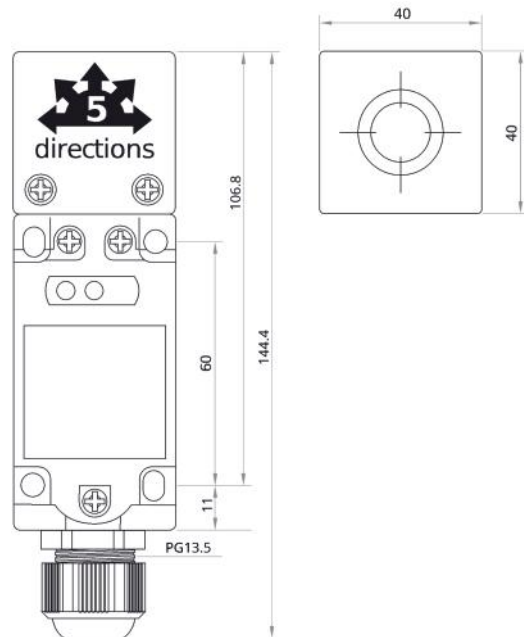
auch als NPN Variante verfügbar <i>also in NPN available</i>	ja <i>yes</i>
---	------------------

Induktive Näherungsschalter *inductive proximity switches*

rechteckig DC

cuboid DC

40 x 40 mm



	15 mm	20 mm	25 mm	30 mm	40 mm
	< 8 mA				
	< 1,5 V				
	< 15 %				
	< 1 %				
	< 10 %				
	10-30 VDC				
	- 10°C ... + 60°C				
	Kunststoff <i>plastic</i>				
	IP 67				
	120 Hz				
	bündig <i>flush</i>	quasi bündig <i>semi flush</i>		nicht bündig <i>non flush</i>	
	200 mA / kurzschlußfest <i>short-circuit-proof</i>				

	DCQ-40-PUK-KLR	DCDQ-40-PUK-KLR	DCTQ-40-PUK-KLR	DCQ-040-PUK-KLR	DCDQ-040-PUK-KLR
--	----------------	-----------------	-----------------	-----------------	------------------

	ja
	yes



Eickmann Sensoren sind nicht zulässig für Sicherheitsanwendungen, bei denen die Sicherheit von Personen von der Gerätefunktion abhängig ist. Montage und elektrischer Anschluss dürfen nur von Fachpersonal nach geltenden Vorschriften in spannungsfreien Zustand erfolgen. Zur Montage sind Maschinen und Vorrichtungen zu sichern bzw. auszuschalten.

Der Betreiber des übergeordneten Gesamtsystems ist verantwortlich für die Einhaltung der für den speziellen Anwendungsfall geltenden nationalen und internationalen Arbeits-, Sicherheits- und Unfallverhütungsvorschriften wie z.B.

- EN 292 Sicherheit von Maschinen, allgemeine Gestaltungsleitsätze
- EN 60204 Elektrische Ausrüstung von Maschinen
- DIN 57100 Teil 410 Schutz gegen gefährliche Körperströme

Eickmann Sensoren erfüllen sowohl nationale (DIN) wie auch europäische (EN) und internationale (IEC) Normen und werden gemäß DIN ISO 9001 produziert.

Technische Änderungen und Irrtümer vorbehalten!

Eickmann sensors are not to be used for safety applications in which safety of persons depends on proper operation of the instruments .

Only qualified personal may assemble and connect in force of regulations and in voltage-free condition. For assemble the machines and devices have to save and respectively switch off. The operator of the higher ranking complete system is responsible for the compliance by consideration of the national and international operation, safty- and accident regulations and rules of prevention like

- EN 292 safty of machines, general principles
- EN 60204 electrical equipment of machines
- DIN 57100 part 410 guard against dangerous currents

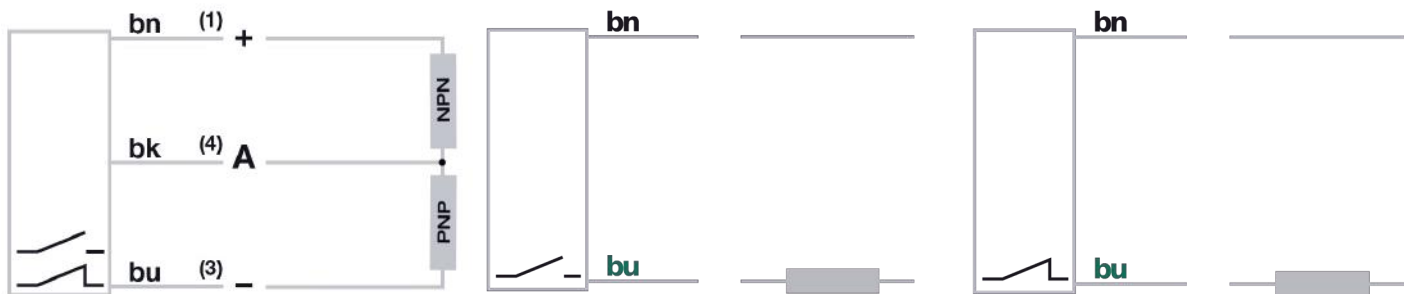
Eickmann sensors comply national, international and european standards and they are produced under DIN ISO 9001.

Errors and omissions excepted!

Anschlußschema *diagramm*

PNP/NPN Schließer/Öffner (NO/NC) AC Schließer (NO)
PNP/NPN closer/opener (NO/NC) AC closer (NO)

AC Öffner (NC)
AC opener (NC)



- | | |
|--------------------------|-------------|
| 1 braun / brown | (+) |
| 2 weiß / white | (NC) |
| 3 blau / blue | (-) |
| 4 schwarz / black | (NO) |

Alle Produkte von Eickmann Elektronik unterliegen einer ständigen Weiterentwicklung. Alle gezeigten Abbildungen, Zeichnungen und Spezifikationen präsentieren den Stand zum Zeitpunkt der Katalogerstellung. Im Laufe der Gültigkeit dieses Kataloges behalten wir uns vor, ohne weitere Publikation technische und formale Änderungen an unseren Produkten vorzunehmen, die der Verbesserung dienen oder geänderten gesetzlichen Vorschriften Rechnung tragen.

All products of Eickmann Elektronik are subject to a permanent advancement. When the catalogue was created, every shown image, graph and specification were state of the art. We reserve our right to change, without any publication, technical our formal data at our products.



Eickmann Elektronik GmbH&Co.KG
Handwerkerstr.19
58638 Iserlohn

Tel.: 02371-435999-0
Fax: 02371-435999-20

www.eickmann-elektronik.de
info@eickmann-elektronik.de